

Barudan

HIGH SPEED AUTOMATIC EMBROIDERY MACHINE

MODEL **BEMRME-YN**
BEMSME-YN
BEMXME-YN

PARTS LIST

BARUDAN CO., LTD.

ADDRESS 906 JOSUJI
ICHINOMIYA-CITY·AICHI-PREF·
JAPAN

TEL. <0586>76-1137

FAX. <0586>77-1499

TELEX 4573268 BARUNA J

CABLE BARUNA ICHINOMIYA

B E M R M E - Y N • B E M S M E - Y N B E M X M E - Y N HIGH SPEED AUTOMATIC EMBROIDERY MACHINE PARTS LIST

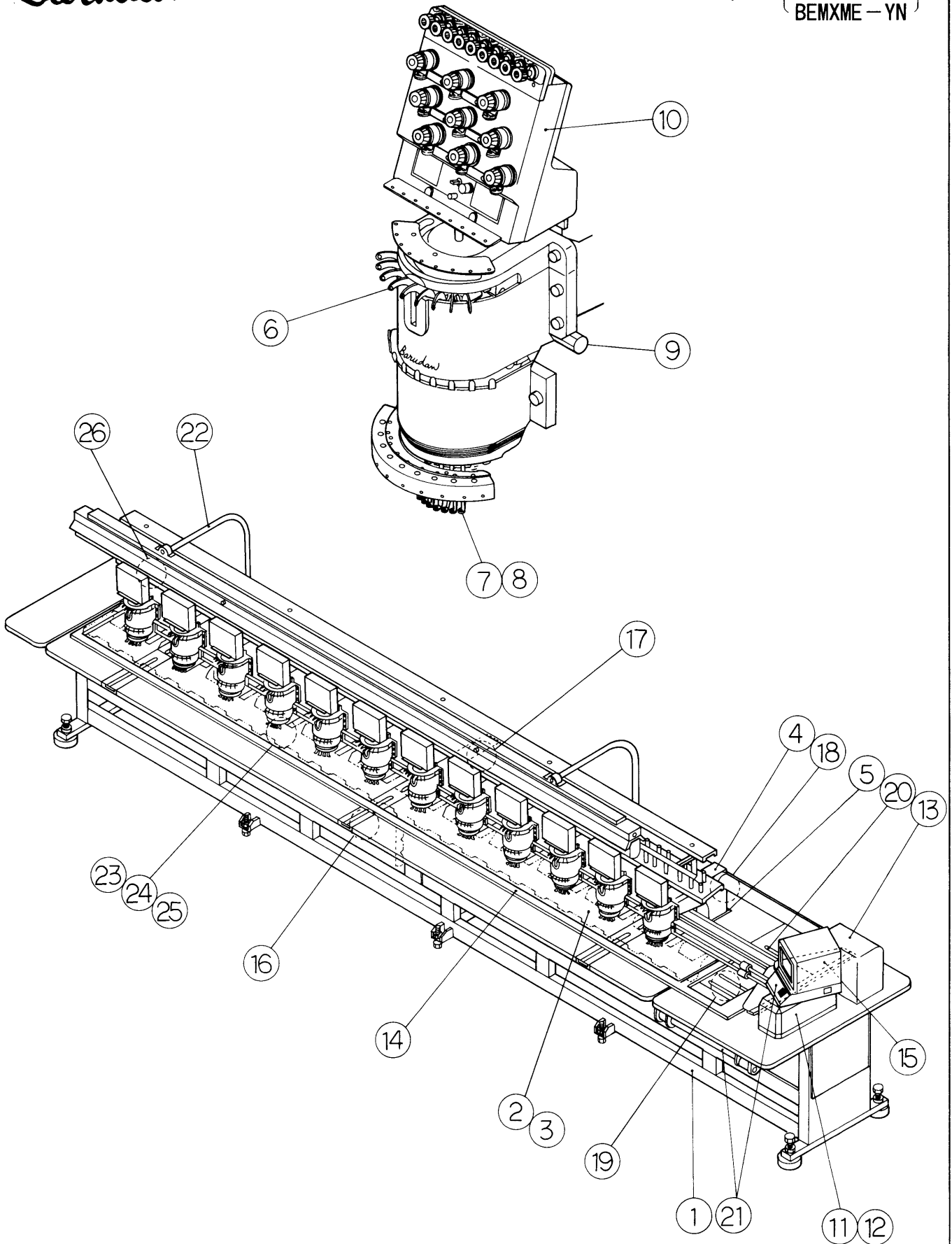
CONTENTS

ITEM No.	Page No.
Machine layout (BEMRME-YN BEMSME-YN BEMXME-YN)	1
① Table • Frame	2
② Table lifter mechanism I	4
③ Table lifter mechanism II	6
④ Sewing head a'ssy	8
⑤ Bed a'ssy	10
⑥ Take up lever mechanism	12
⑦ Needle bar mechanism I	14
⑧ Needle bar mechanism II	16
⑨ Jump mechanism	18
⑩ Thread guide mechanism	20
⑪ Color change mechanism I	22
⑫ Color change mechanism II	24
⑬ Drive mechanism	26
⑭ Pantograph drive mechanism I (Pantograph, Cover)	28
⑮ Pantograph drive mechanism II (T-Pantograph relation)	30
⑯ Pantograph drive mechanism III (H-Direction, Front)	32
⑰ Pantograph drive mechanism IV (H-Direction, Rear I)	34
⑱ Pantograph drive mechanism V (H-Direction, Rear II)	36
⑲ Pantograph drive mechanism VI (V-Direction, Front)	38
⑳ Pantograph drive mechanism VII (V-Direction, Rear)	40
㉑ Control system <BEMRME-YN>	42
㉑ Control system <BEMSME-YN>	44
㉑ Control system <BEMXME-YN>	46
㉒ Option	48
㉓ Automatic thread cutting mechanism I (Thread cutting section)	50
㉔ Automatic thread cutting mechanism II (Thread away section)	52
㉕ Automatic thread cutting mechanism III (Thread support section)	54
㉖ Automatic thread cutting mechanism IV (Drive mechanism)	56
㉗ Thread guide mechanism (Lower thread sensorium)	58
INDEX	60

Barudan

Machine layout

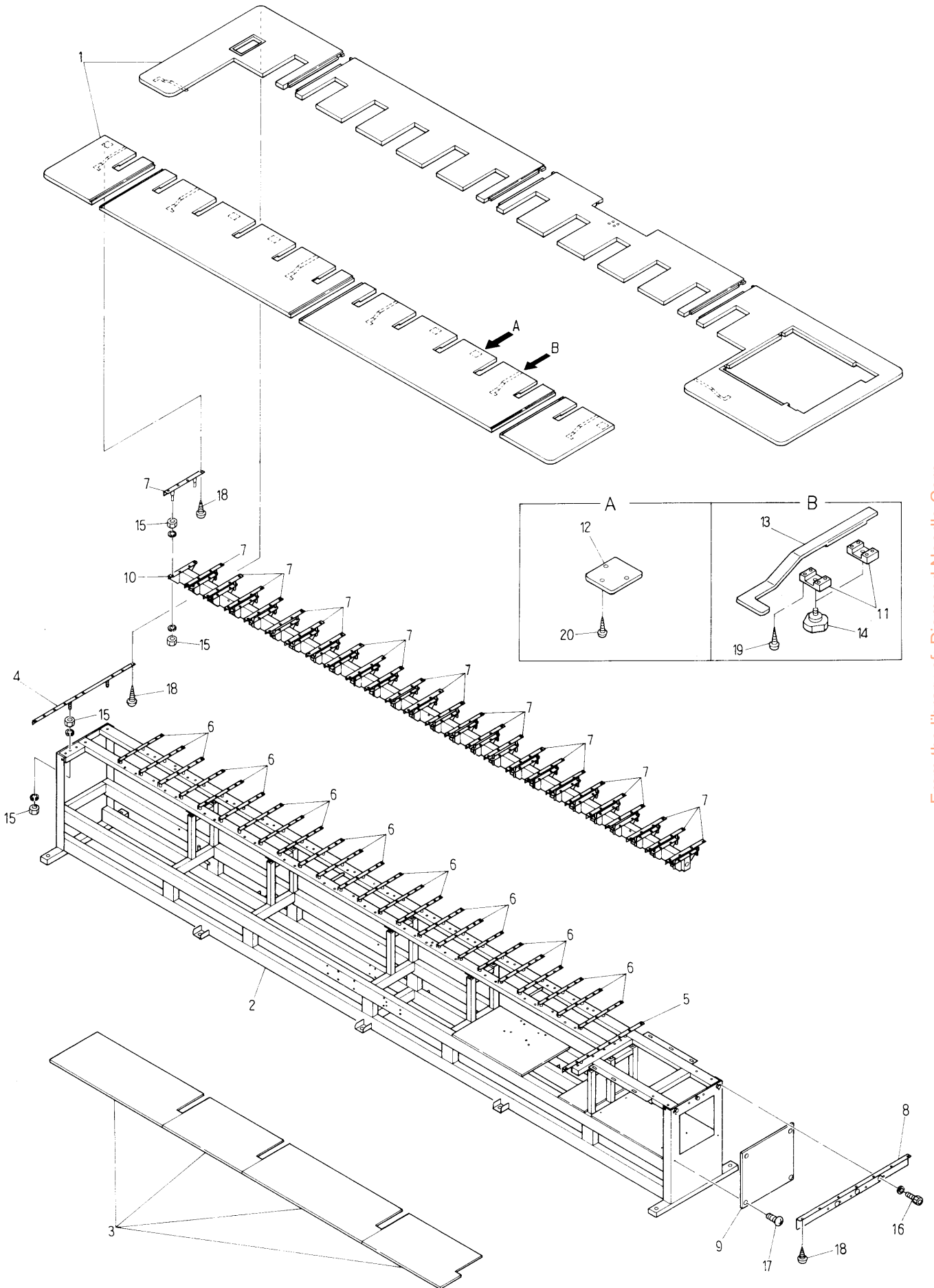
BEMRME-YN
BEMSME-YN
BEMXME-YN



BEMRME-YN
BEMSME-YN
BEMXME-YN

MODEL

BEMRME-YN
BEMSME-YN
BEMXME-YN

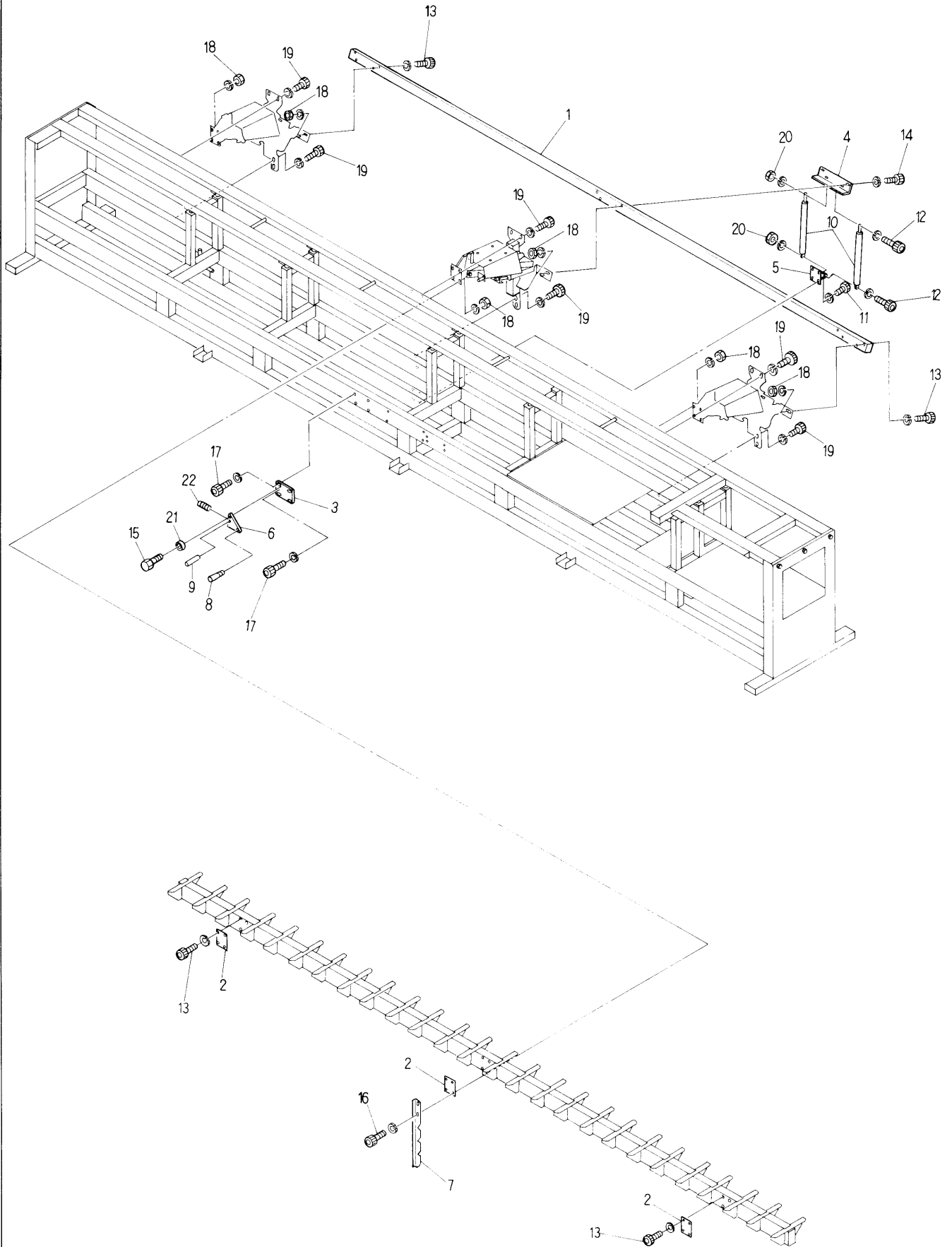


From the library of: Diamond Needle Corp

MODEL
BEMRME-YN
BEMSME-YN
BEMXME-YN

Barudan

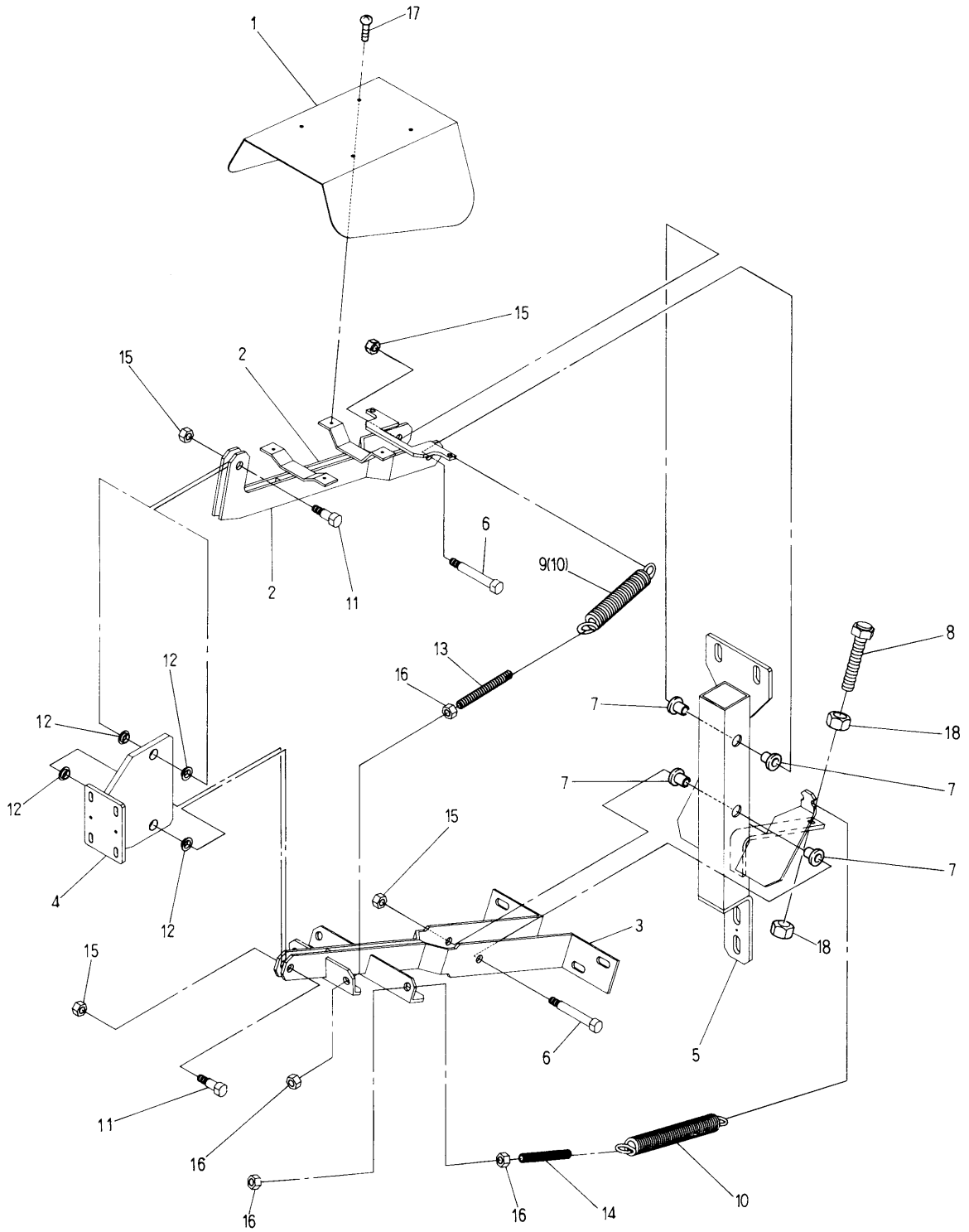
② Table lifter mechanism I



From the library of: Diamond Needle Corp

MODEL

BEMRME-YN
BEMSME-YN
BEMXME-YN

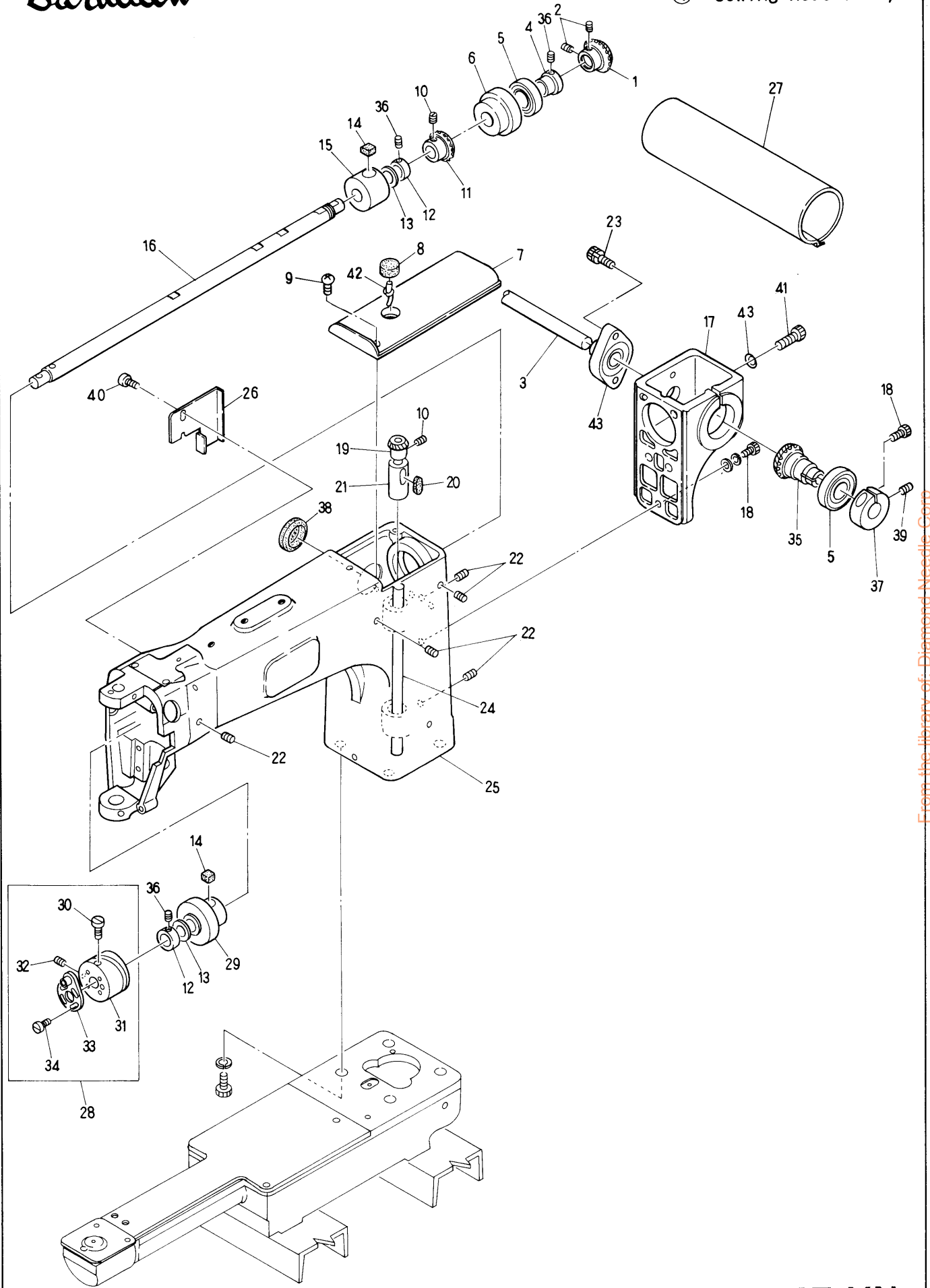


From the library of: Diamond Needle Corp

MODEL **BEMRME-YN**
BEMSME-YN
BEMXME-YN

Barudan

④ Sewing head assembly



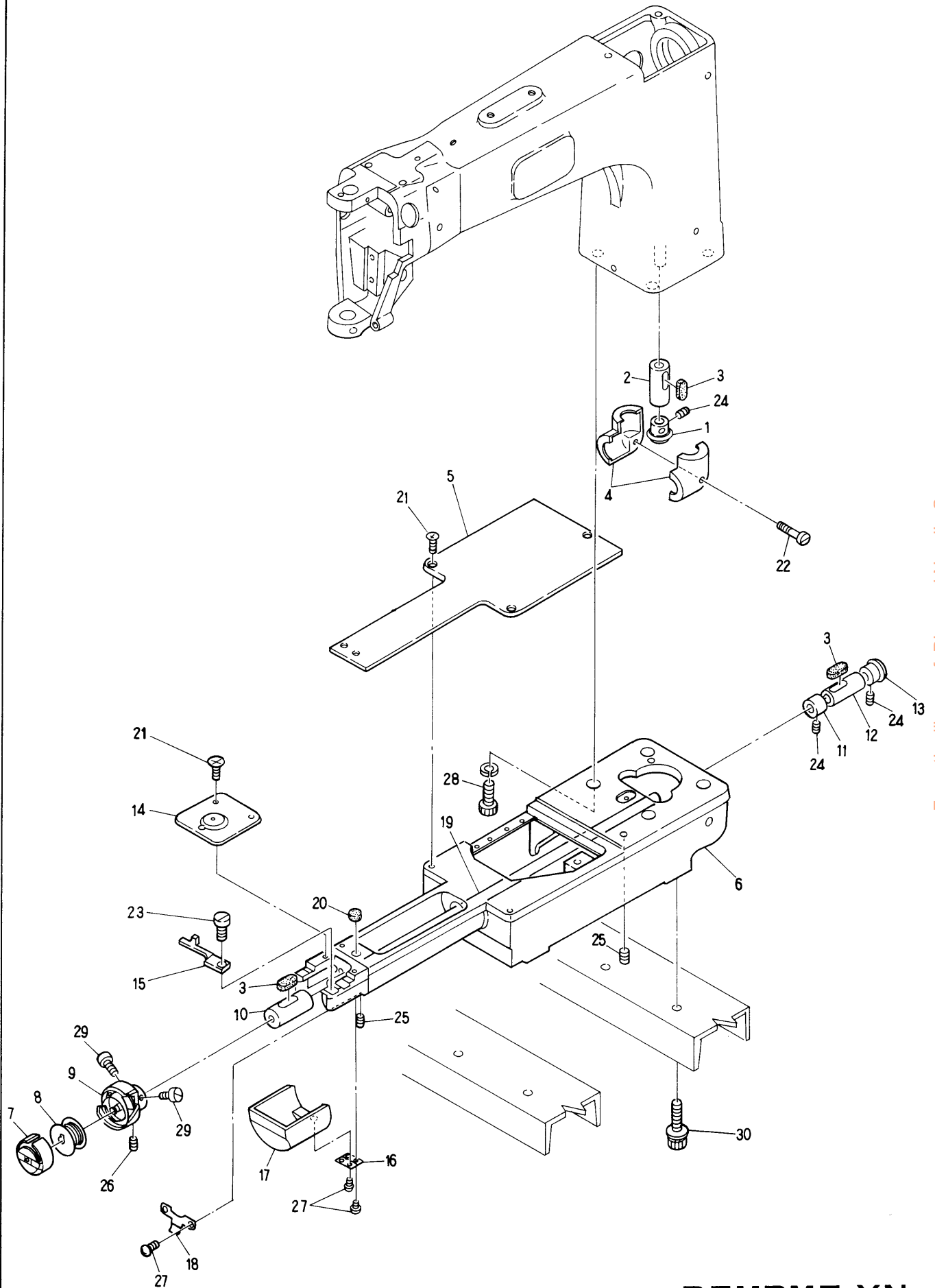
From the library of: Diamond Needle Corp

MODEL
BEMRME-YN
BEMSME-YN
BEMXME-YN

④ Sewing head a' ssy

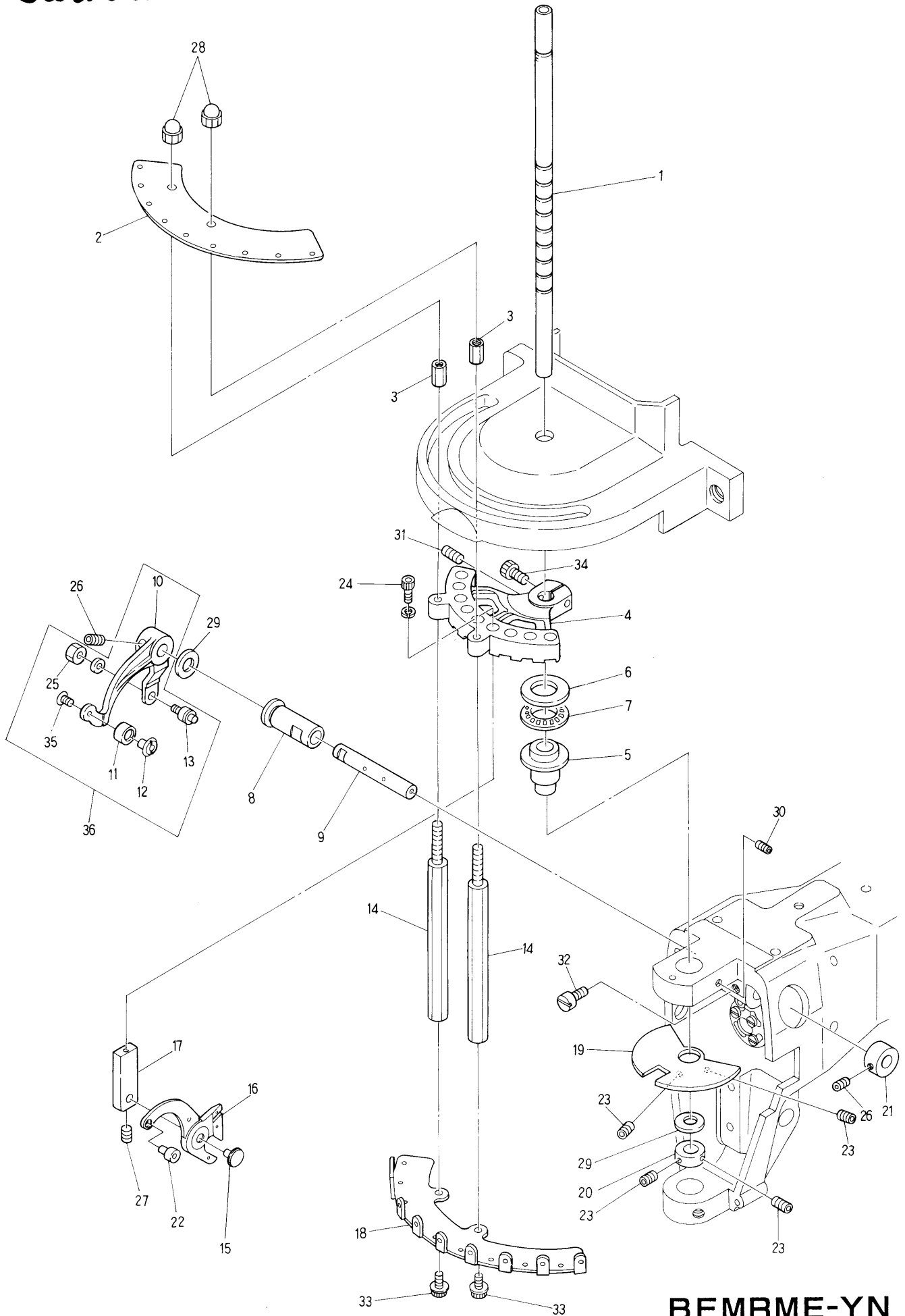
(H=Head Q' TY)

ITEM	LIST No	DESCRIPTION	Q' TY	REMARK
1	KL 2 2 0 1 0 0	Top Shaft (Spiral bevel M1.5-25R)	H×1	
2		Hex, socket set screw M6×6 (With adhesion)	H×2	
3		Top shaft connecting shaft φ15		
4	KL 2 2 0 0 9 0	Top shaft bearing collar (Rear)	H×1	
5	A 9 0 1 0 0 1 7	Bearing (6004ZZ)	H×2	
6	KL 2 2 0 0 4 0	Top shaft bearing case (Rear)	H×1	
7	KL 2 5 0 0 4 0	Arm top cover	H×1	
8	KL 2 2 0 1 5 0	Oil felt D	H×1	
9		Truss screw M4×10		
10		Screw (SM1/4 40×4)		
11	KF 2 2 0 1 3 0	Bevel gear (Top shaft)	H×1	
12	KL 2 2 0 0 8 0	Top shaft collar	H×2	
13	HP 2 3 1 3 9 0	Thrust washer (Top shaft gear)	H×2	
14	KL 2 2 0 1 3 0	Oil felt B	H×2	
15	KL 2 2 0 0 3 0	Top felt metal (Middle)	H×1	
16	KL 2 2 0 0 0 0	Top shaft	H×1	
17	KL 2 1 0 1 4 0	Arm gear case	H×1	
18		Hex, socket bolt M6×25		
19	KF 2 2 0 4 6 0	Bevel gear (Vertical shaft upper)	H×1	
20	KL 2 2 0 1 4 0	Oil felt C	H×1	
21	KL 2 2 0 0 5 0	Vertical metal (Upper)	H×1	
22		Hex, socket screw M6×8		
23		Hex, socket bolt M6×35 (With spring washer)		
24	KL 2 2 0 0 1 0	Vertical shaft	H×1	
25	KB 2 1 0 1 6 0	Arm	H×1	
26	KL 2 5 0 0 5 1	Arm side cable cover	H×1	
27	1PKD12380480BA	Connecting shaft cover set MSE-12 380/480	1 SET	
28	KB 2 3 0 0 1 0	Take up lever cam K 690° with crank	H×1	
29	KL 2 2 0 0 2 0	Top shaft metal (Front)	H×1	
30	KF 2 3 0 4 2 0	Take up lever cam set screw	H×1	
31	KB 2 3 0 0 3 0	Take up lever cam K6	H×1	
32		Screw (SM15/64 28×10) (With adhesion)	H×1	
33	KB 2 3 0 0 5 0	90° Crank	H×1	
34	A 9 0 1 2 0 0 7	Screw (SM11/64 40×10)	H×1	
35	KL 3 2 0 0 0 0	Connecting gear (Spiral bevel M1.5-25L)	H×1	
36		Hex, socket set screw M6×6		
37	KL 3 2 0 0 2 0	Connecting gear clamp φ19	H×1	
38	A 9 0 1 4 0 6 3	Grommet C-30-SG-36A	H×1	
39		Hex, socket set screw M6×10		
40		Truss screw M4×8		
41		Hex, socket bolt M6×60		
42	KC 2 5 1 3 3 0	Oil core L=75	H×1	
43		Disc spring M6		

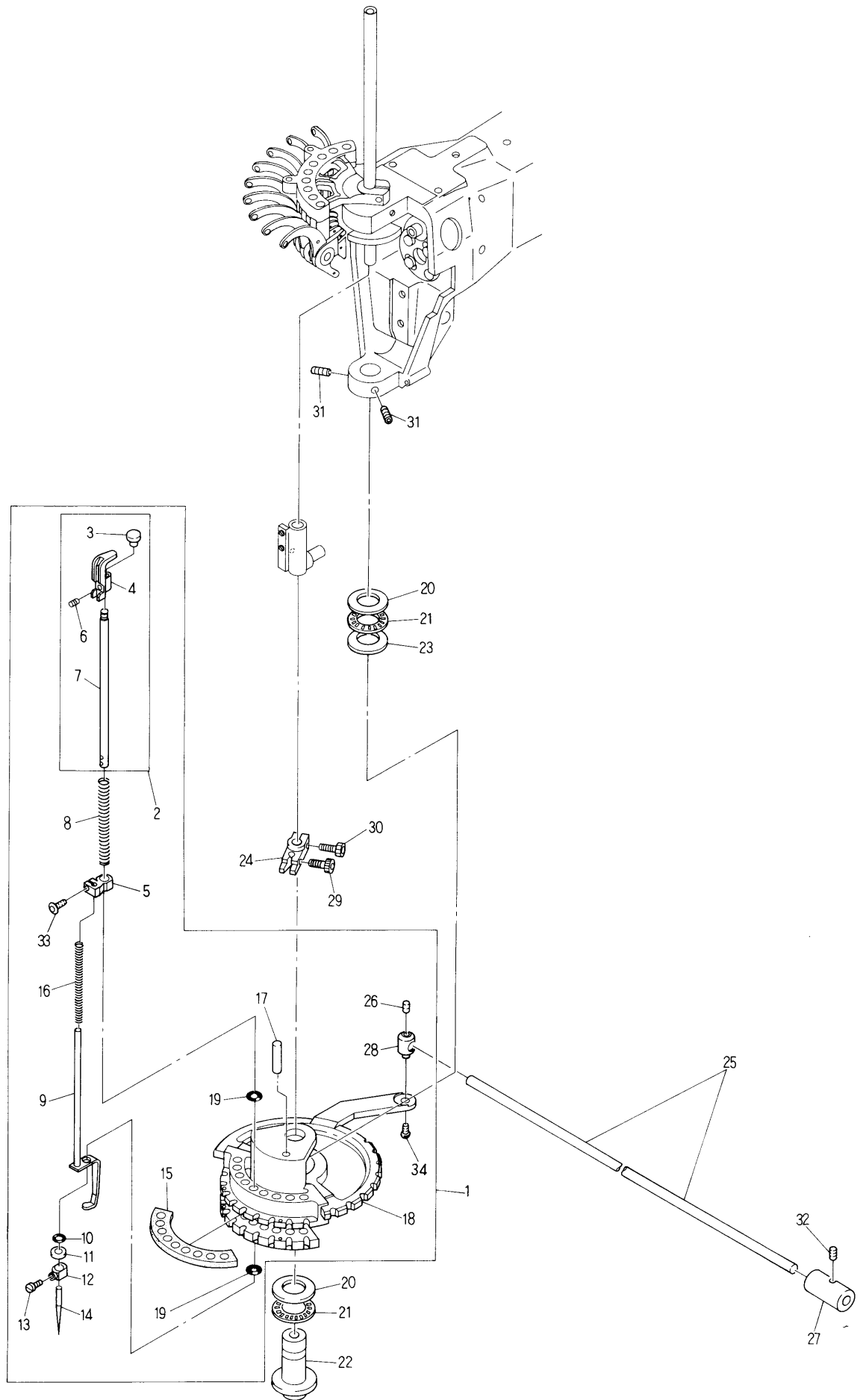


From the library of: Diamond Needle Corp

MODEL
BEMRME-YN
BEMSME-YN
BEMXME-YN

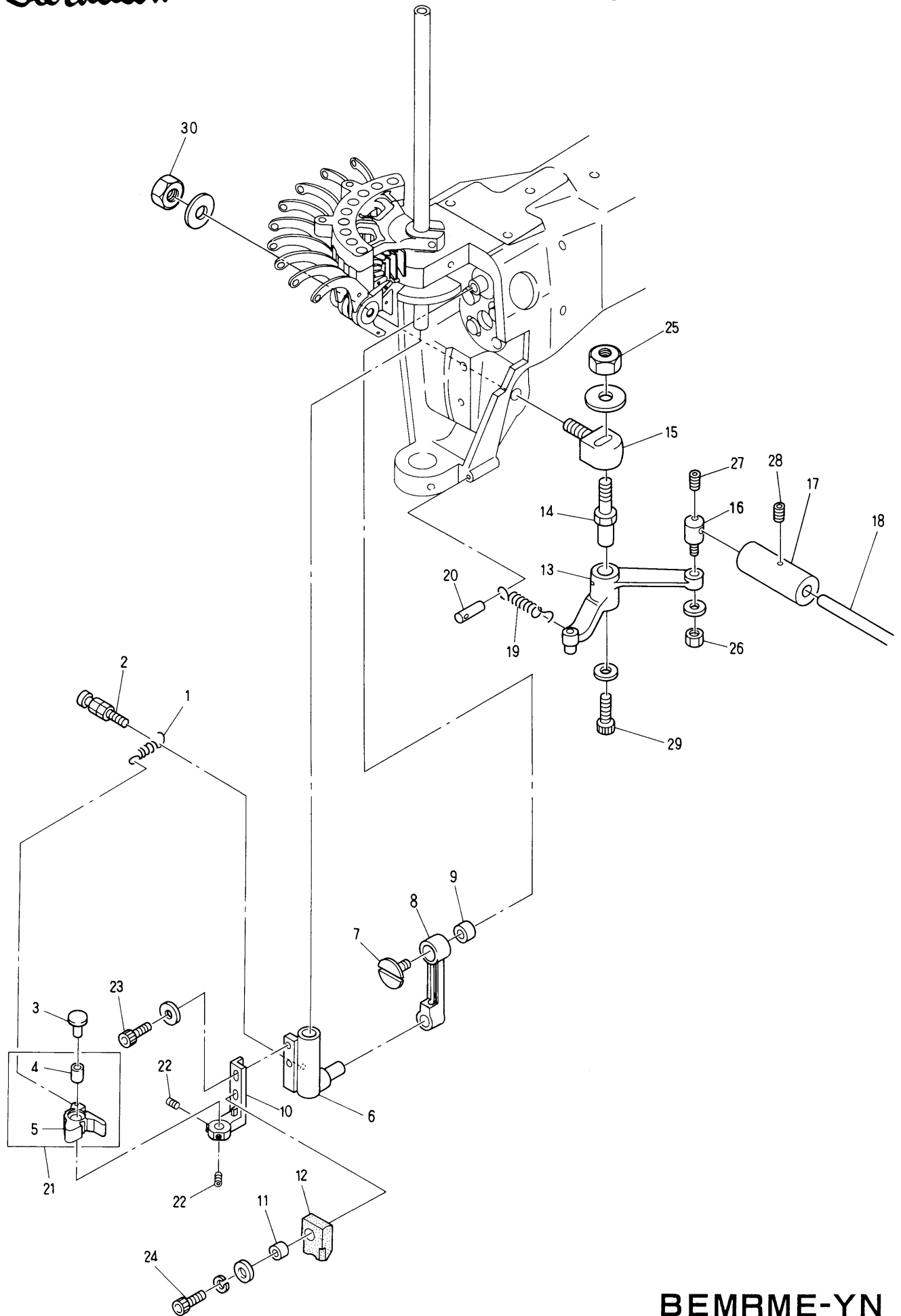


From the library of: Diamond Needle Corp



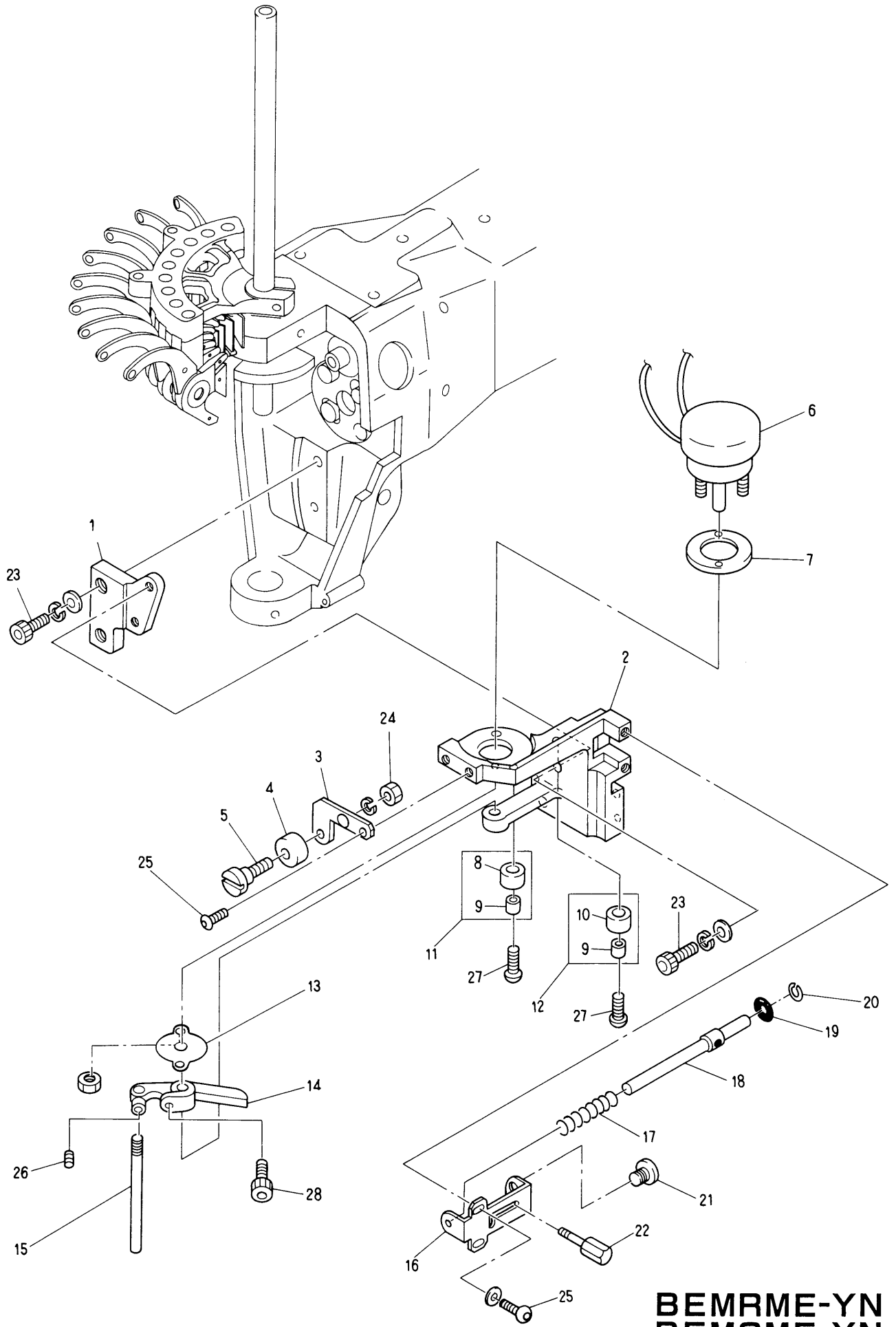
From the library of: Diamond Needle Corp

MODEL
BEMRME-YN
BEMSME-YN
BEMXME-YN



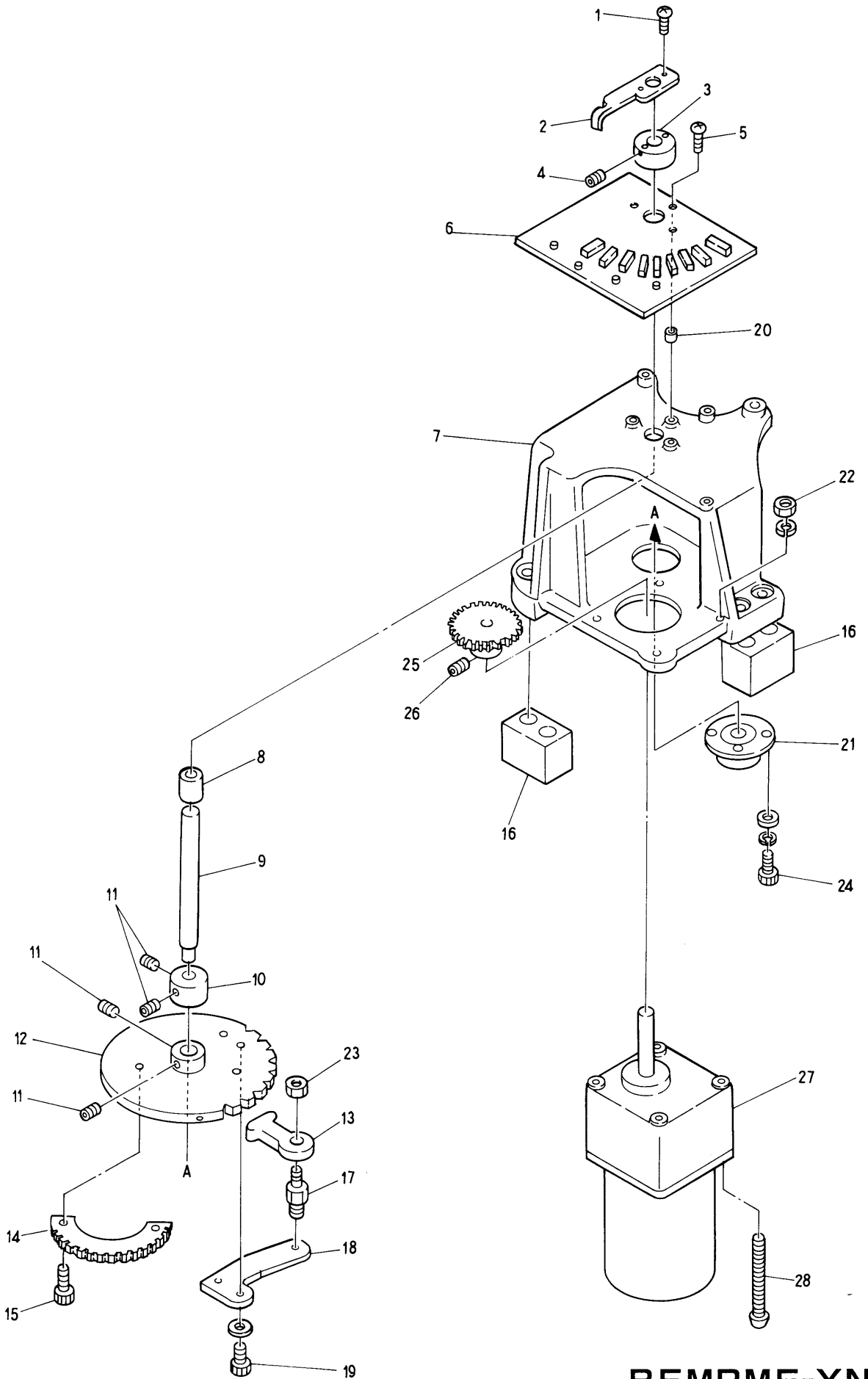
From the library of: Diamond Needle Corp

MODEL
BEMRME-YN
BEMSME-YN
BEMXME-YN



From the library of: Diamond Needle Corp

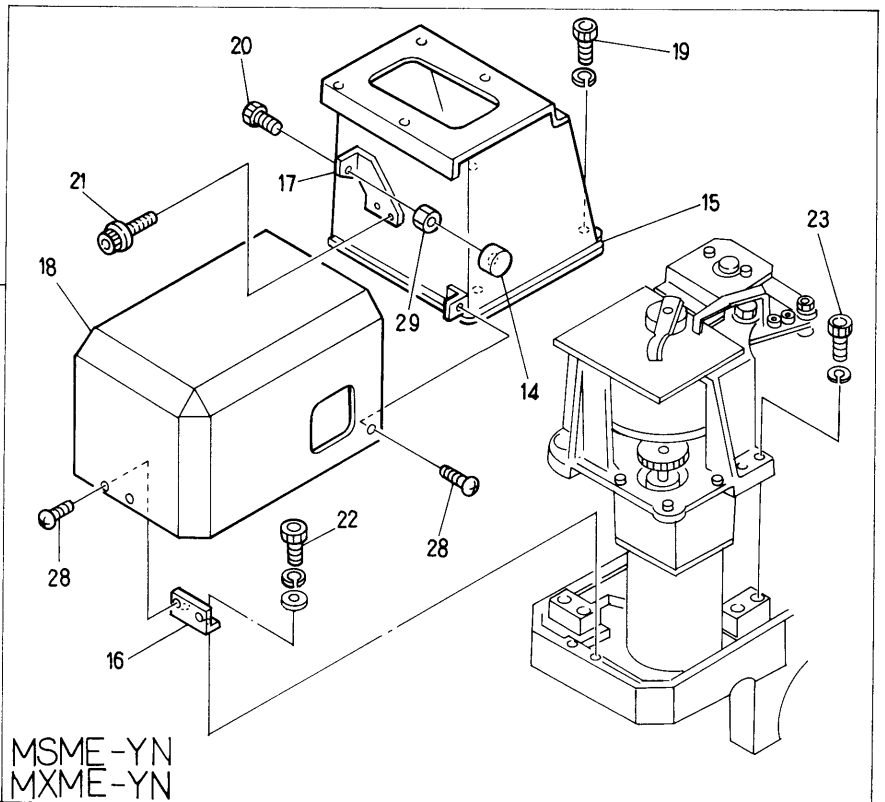
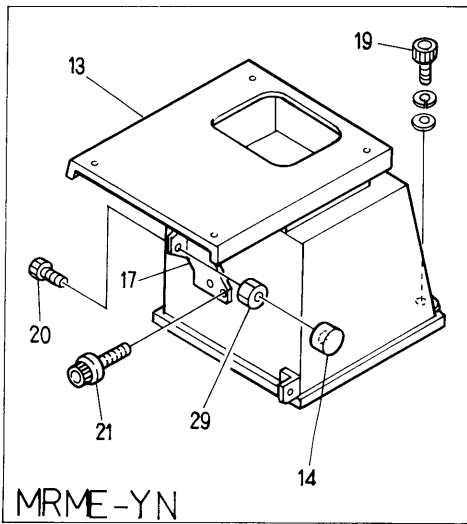
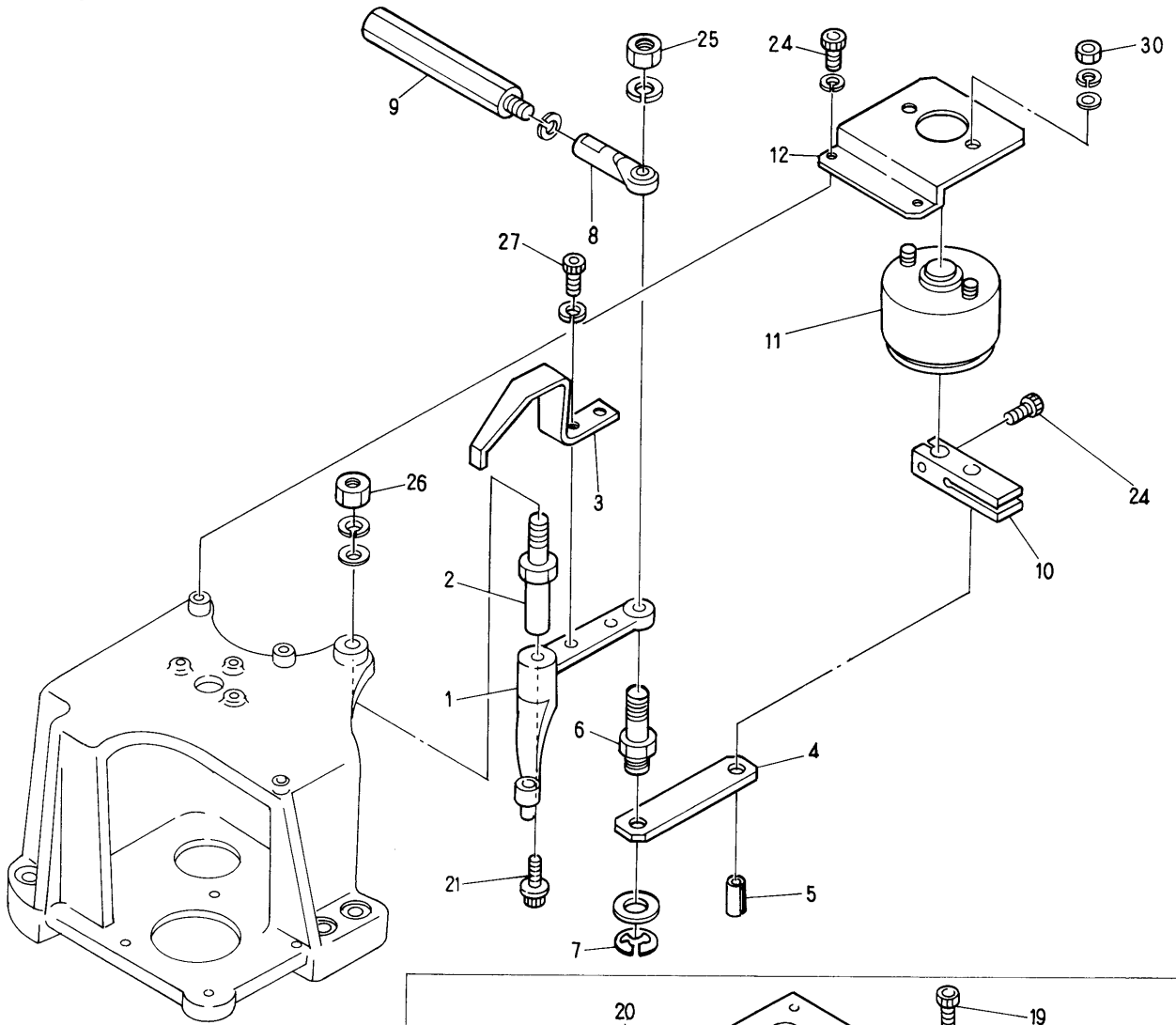
MODEL
BEMRME-YN
BEMSME-YN
BEMXME-YN



From the library of: Diamond Needle Corp

MODEL

BEMRME-YN
BEMSME-YN
BEMXME-YN

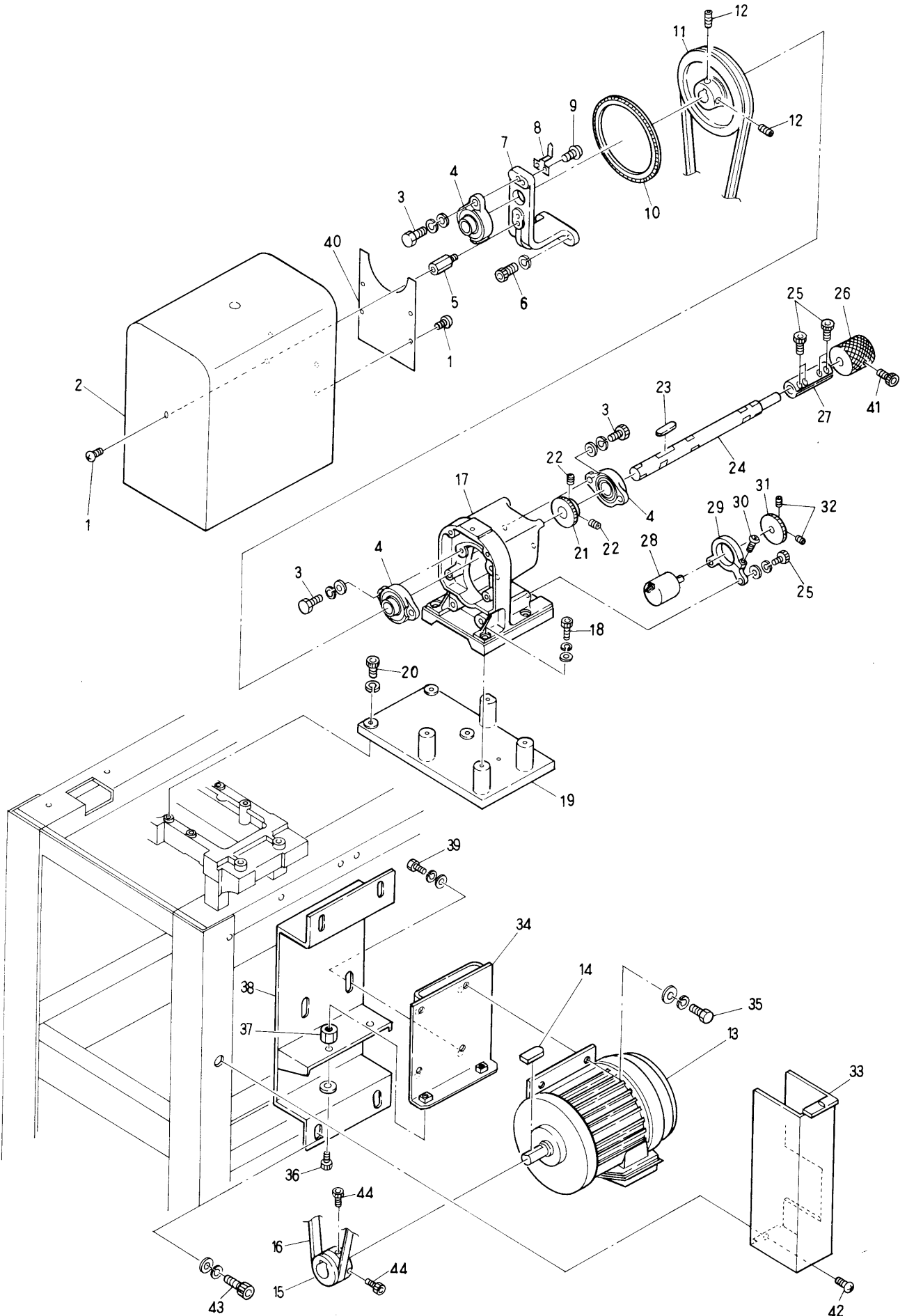


MODEL

BEMRME-YN
BEMSME-YN
BEMXME-YN

Barudan

13 Drive mechanism



From the library of: Diamond Needle Corp

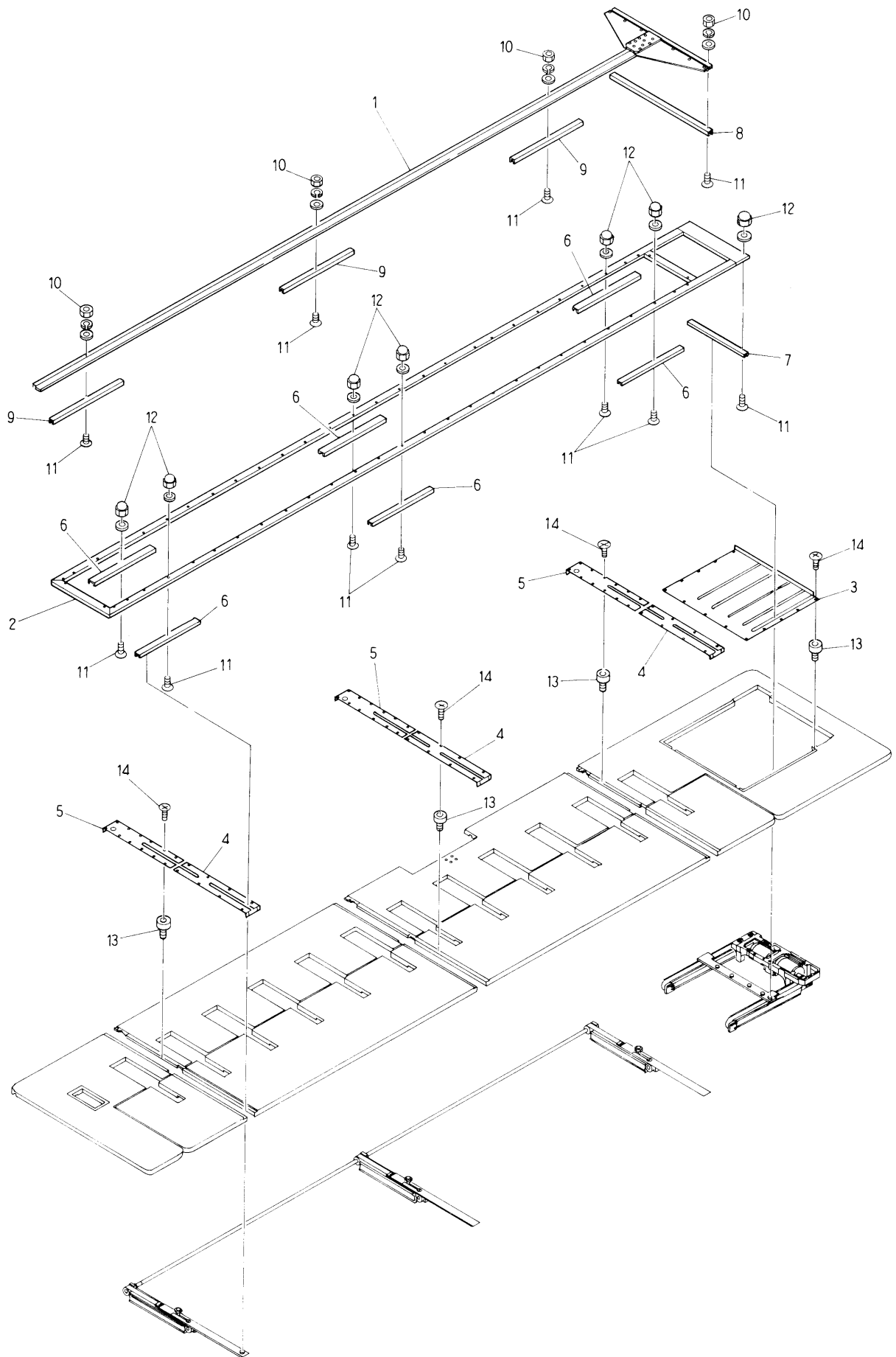
MODEL
BEMRME-YN
BEMSME-YN
BEMXME-YN

⑬ Drive mechanism

ITEM	LIST No.	DESCRIPTION	Q'TY	REMARK
1		Truss screw M4 × 6		
2	KK310030	Belt cover (Upper)	1	
3		Hex, bolt M8 × 25		
4	A9011017	Bearing unit (BLF 204)	3	
5	KN312940	Belt cover stay	1	
6		Hex, socket bolt M8 × 25		
7	KN315130	Brake box bearing	1	
8	KN310050	Angle gauge	1	
9		Hex, socket button bolt M4 × 10		
10	KN313670	Angle label (A)	1	
11	KN310000	Driving pulley φ152.2	1	
12		Hex, socket set screw M6 × 8		
13	KN315110	Motor (IK-FBK8-4P-0.55KW, VF3 200V)	1	
14		Key 6 × 6 × 32	1	
15	KN310010	Motor pulley φ48.6	1	
16	A9020200	V-Belt (4PK-1240)	1	
17	KN312810	Brake box	1	
18		Hex, socket bolt M6 × 40		
19	KK310040	Brake box base	1	
20		Hex, socket bolt M6 × 35 (With spring washer)		
21	KC312911	Encoder driving gear No.1	1	
22		Hex, socket set screw M5 × 8		
23	WW310210	Key 6 × 6 × 35	1	
24	KN312820	Brake shaft	1	
25		Hex, socket bolt M6 × 20		
26	KC320590	Hand pulley	1	
27	HH320550	Upper shaft connecting coupling	1	
28	KN511020	Position corder 051 (for Embroidery machine)	1	
29	KC312890	Encoder retainer	1	
30		Pan screw M4 × 15		
31	KC312921	Encoder driving gear No.2	1	
32		Hex, socket set M4 × 8		
33	KL310100	Belt cover (下)	1	
34	KL310071	Motor fixing bracket	1	
35		Hex, bolt M8 × 25		
36		Hex, bolt M8 × 60		
37		Hex, nut M8		
38	KL310081	Motor base	1	
39		Hex, bolt M8 × 20		
40	KK310020	Belt encoder cover (Upper)	1	
41		Hex, socket bolt M6 × 12		
42		Truss screw M4 × 8		
43		Hex, socket bolt M8 × 25		
44		Hex, socket bolt M6 × 15		Key side
		Hex, socket bolt M6 × 18		

Barudan

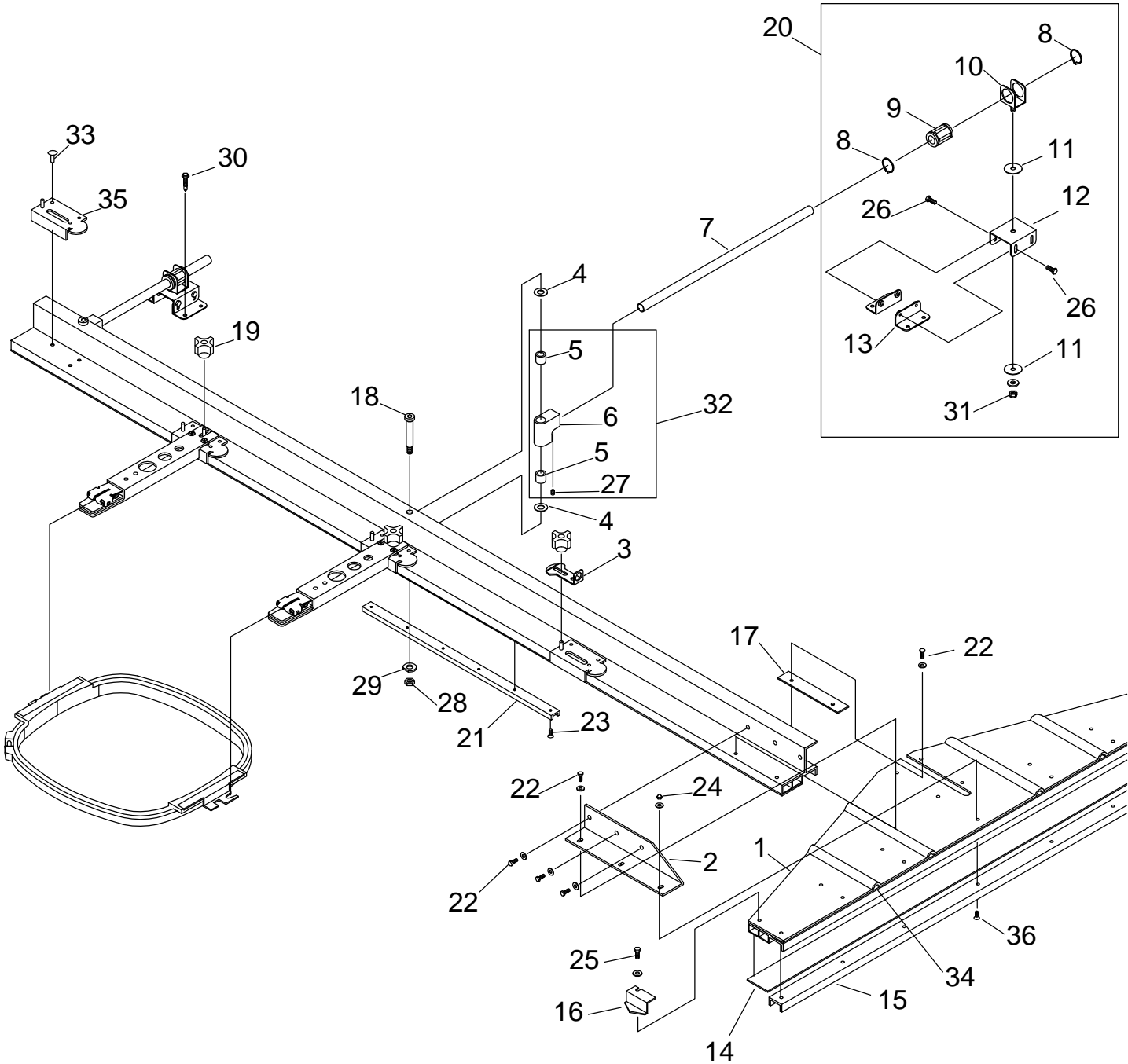
⑭ Pantograph drive mechanism I
(Pantograph, Cover)



From the library of: Diamond Needle Corp

MODEL
BEMRME-YN
BEMSME-YN
BEMXME-YN

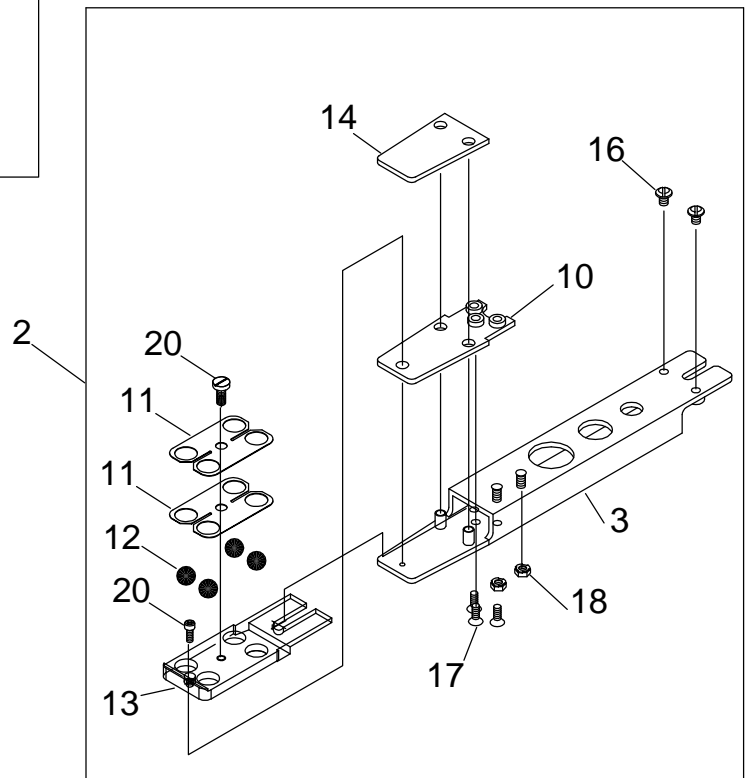
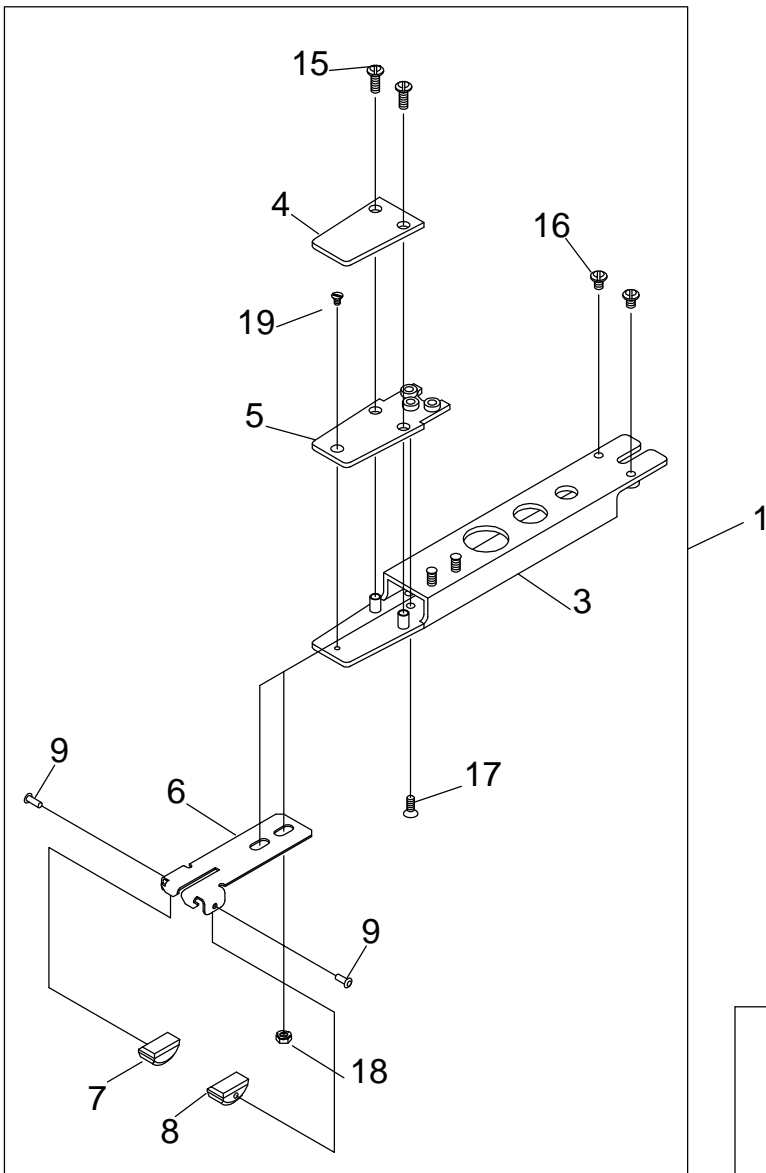
American Pantograph Addendum



From the library of: Diamond Needle Corp

(For 12, 15, and 20 head U.S. built machines)

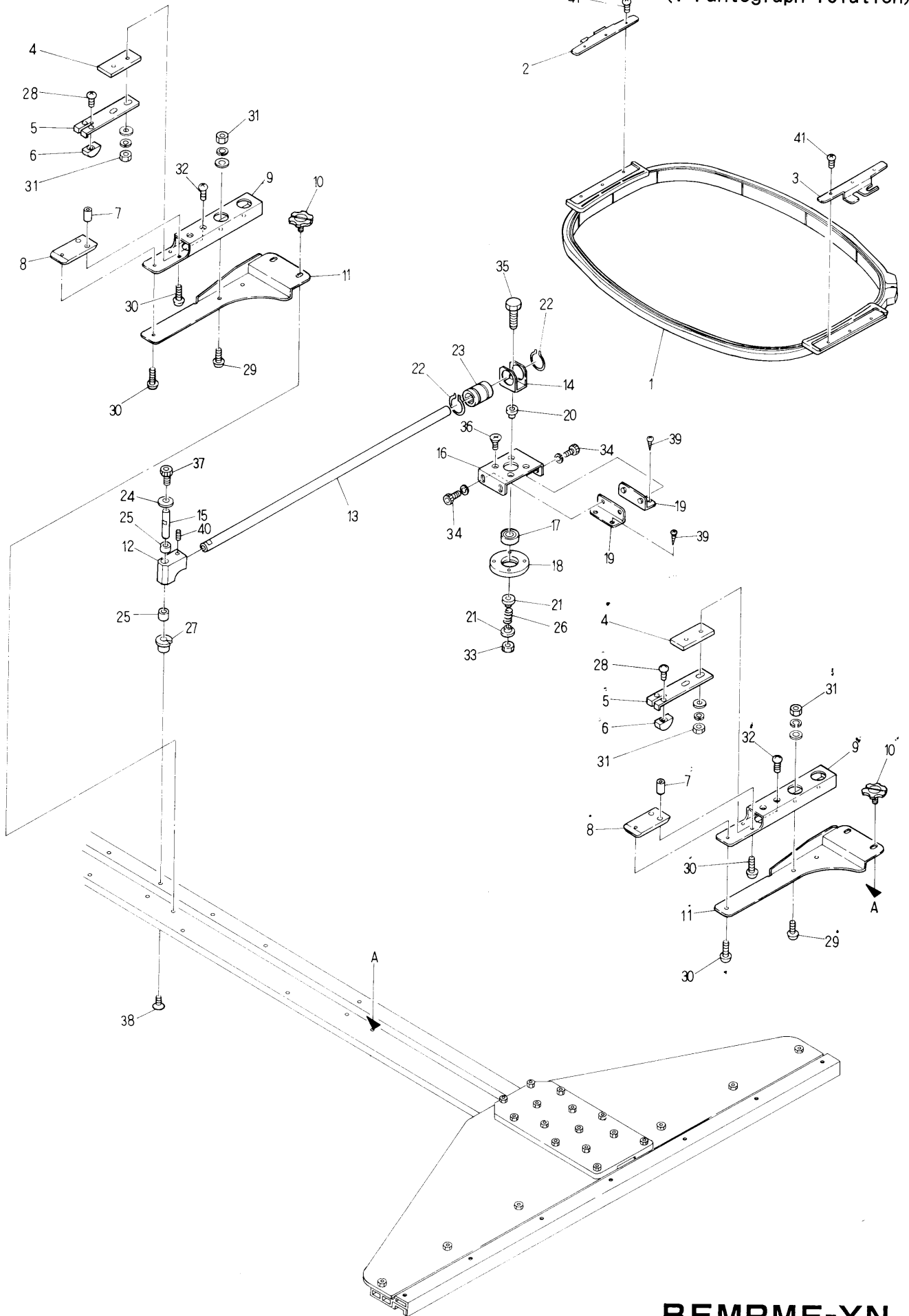
American Pantograph Addendum



(For 12, 15, and 20 head U.S. built machines)

Barudan

15 Pantograph drive mechanism II
(T-Pantograph relation)



From the library of: Diamond Needle Corp

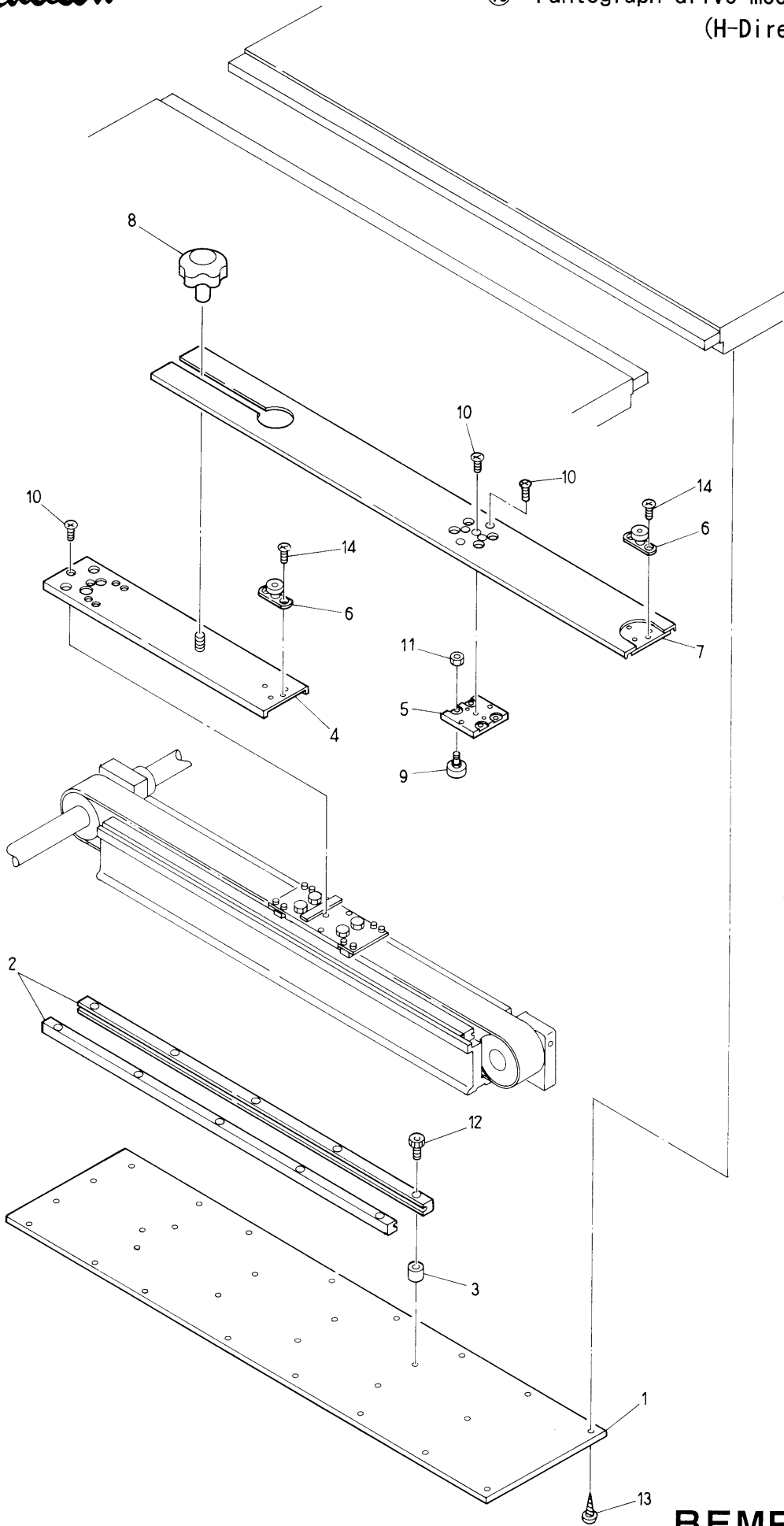
⑮ Pantograph drive mechanism II (T-Pantograph relation)

ITEM	LIST No.	DESCRIPTION	Q'TY	REMARK
1	FR92300290A	Square pantograph 320×290	12	
2	FR600528	Metal for allot wood frame (No.1) R	12	
3	FR600529	Metal for allot wood frame (No.1) L	12	
4	HS460200	Fixing spacer	13	
5	HS460030	Frame fixing spring No.2	13	
6	HS460050	Frame fixing block	26	
7	HS460210	Frame fixing the position pin	26	
8	KK460130	Frame slide plate	13	
9	KK460050	Fixing base	13	
10	HS730000	Knurling screw for pantograph	26	
11	KK460061	Fixing stay	13	
12	KK460070	Rotation block	6	
13	KK460090	Pantograph set driving shaft	6	
14	KK460040	Bush fixing bracket	6	
15	KK460080	Rotation shaft B	6	
16	KK460010	Pantograph set base (Upper)	6	
17	A9010036	Bearing (6900ZZ)	6	
18	KK460031	Bearing set plate	6	
19	KK460000	Pantograph set base (Lower)	12	
20	KK460020	Rotation shaft A	6	
21	KK460120	Spring set plate	12	
22	A9012064	C-Ring (For shaft) 21	12	
23	A9011131	Slide bush SM12GUU	6	
24	A9012164	Thrust washer R-TW 0815	6	
25	A9011132	DU bush MB0805	12	
26	KK460140	Pantograph set spring	6	
27	A9012264	DU bush (MB0808-15FDU)	6	
28		Truss screw M3×3		
29		Truss screw M3×7		
30		Truss screw M3×5		
31		Hex, nut M3		
32		Truss screw M3×10		
33		U-Nut M5		
34		Hex, socket M5×10		
35		Hex, bolt M5×25		
36		Flush screw M4×10		
37		Hex, socket bolt M4×8		
38		Flush screw M4×12		
39		Bind tapping screw 4.5×24		
40		Hex, socket set screw M6×8		
41		Flush screw M3×6		

From the library of: Diamond Needle Corp

Barudan

⑩ Pantograph drive mechanism III
(H-Direction, Front)

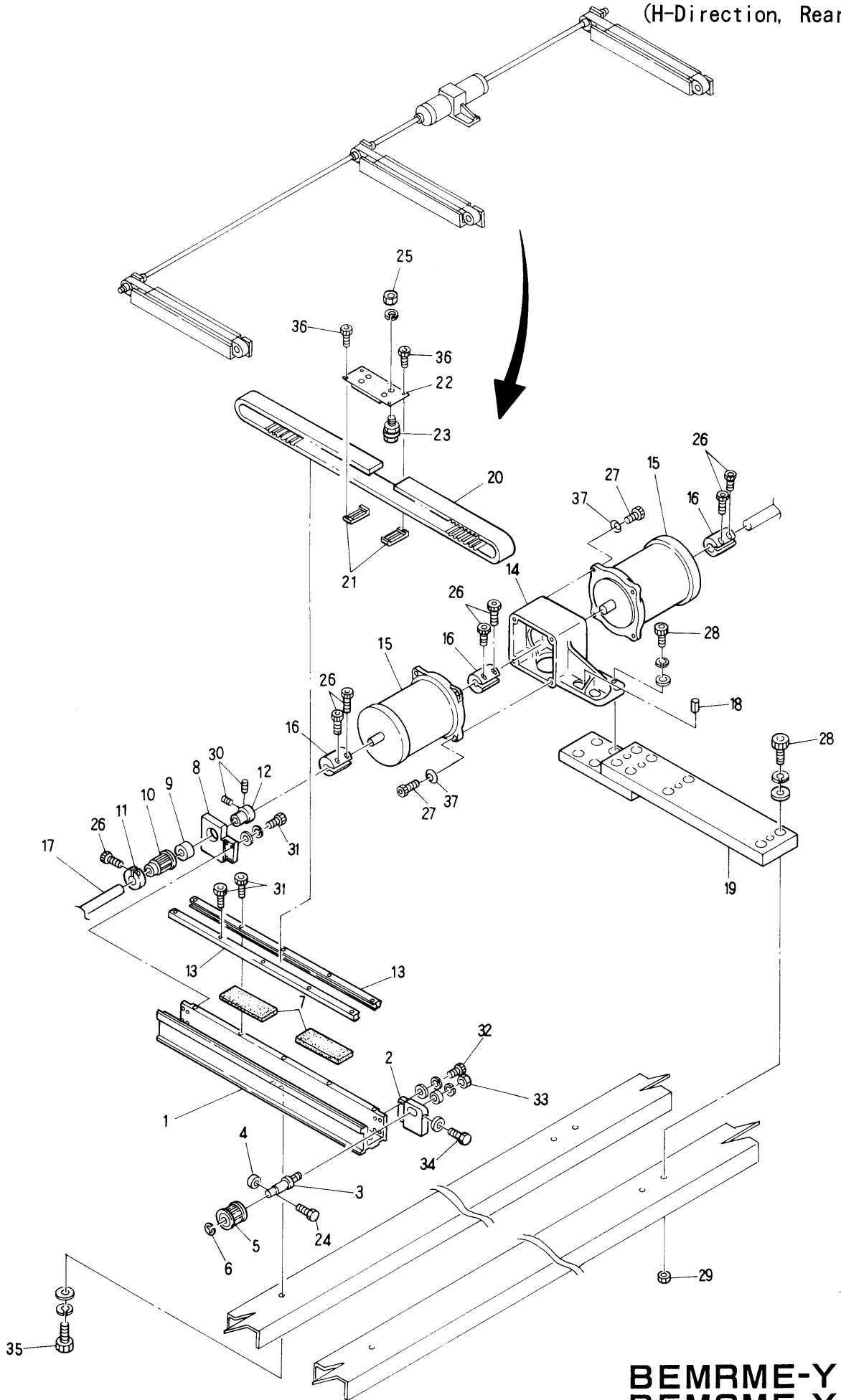


MODEL
BEMRME-YN
BEMSME-YN
BEMXME-YN

From the library of: Diamond Needle Corp

Barudan

⑰ Pantograph drive mechanismIV
(H-Direction, Rear I)

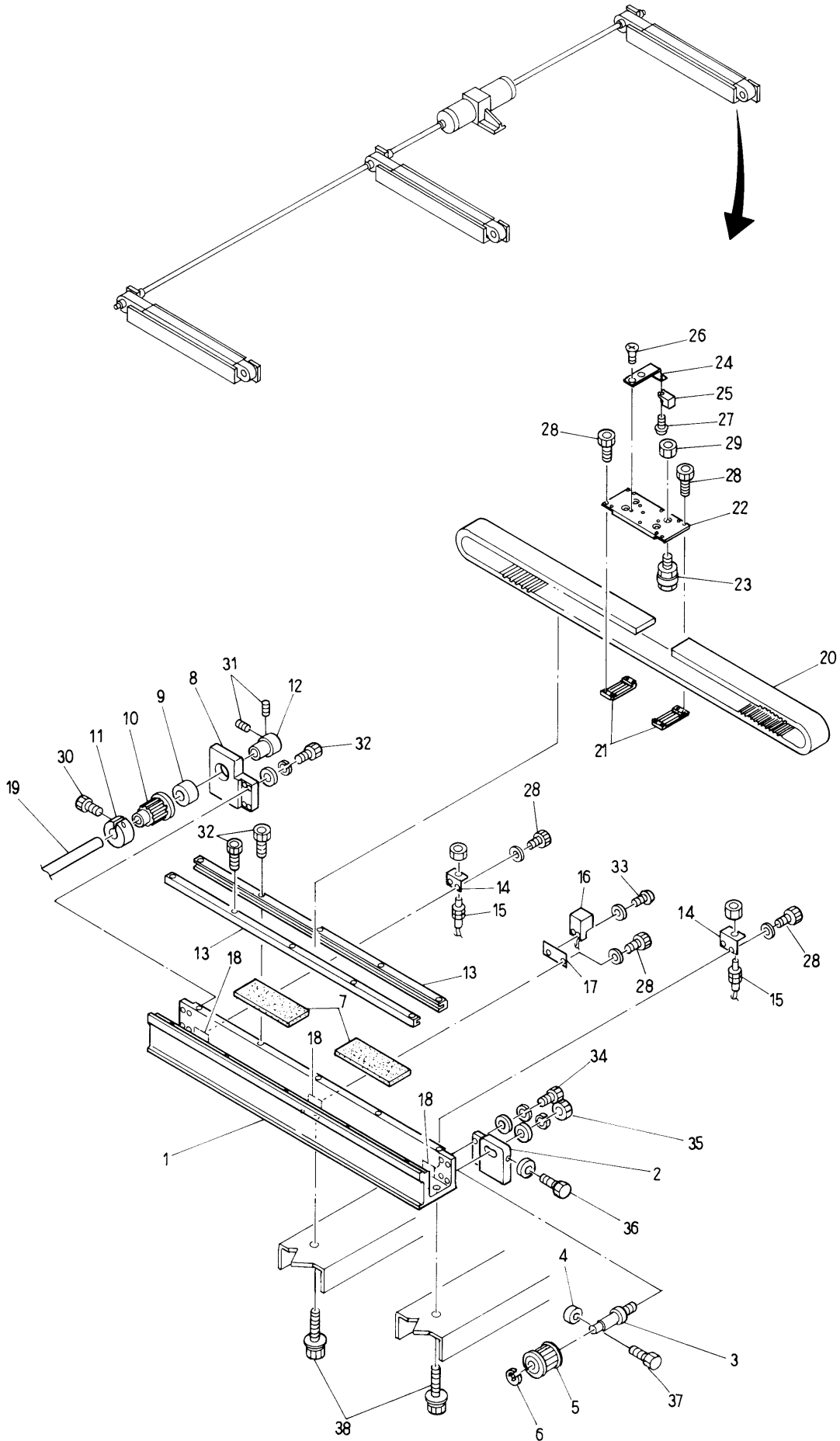


From the library of: Diamond Needle Corp

MODEL
BEMRME-YN
BEMSME-YN
BEMXME-YN

Barudan

⑱ Pantograph drive mechanism V
(H-Direction, Rear II)

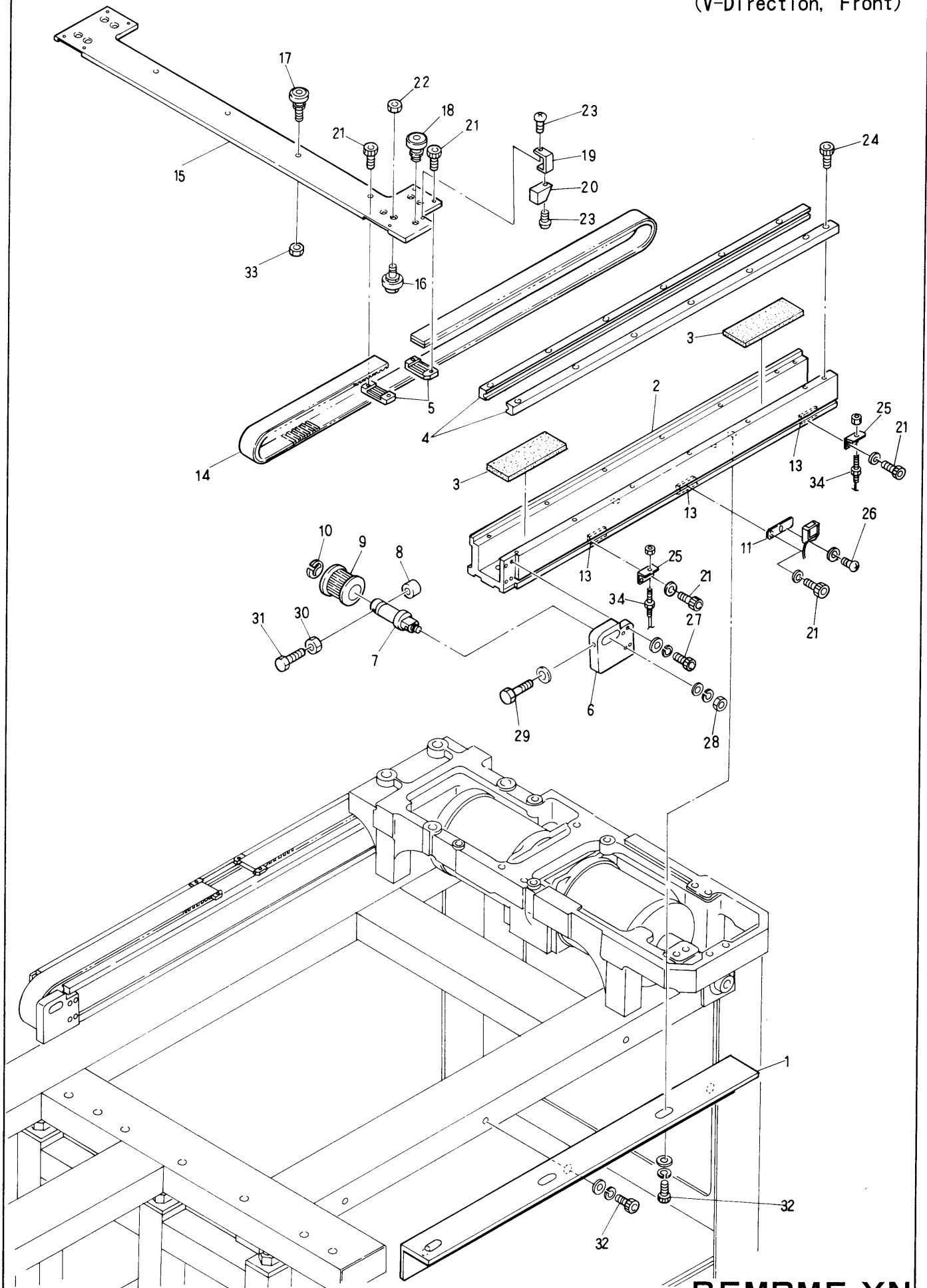


From the library of: Diamond Needle Corp

MODEL
BEMRME-YN
BEMSME-YN
BEMXME-YN

Barudan

①9 Pantograph drive mechanism VI
(V-Direction, Front)

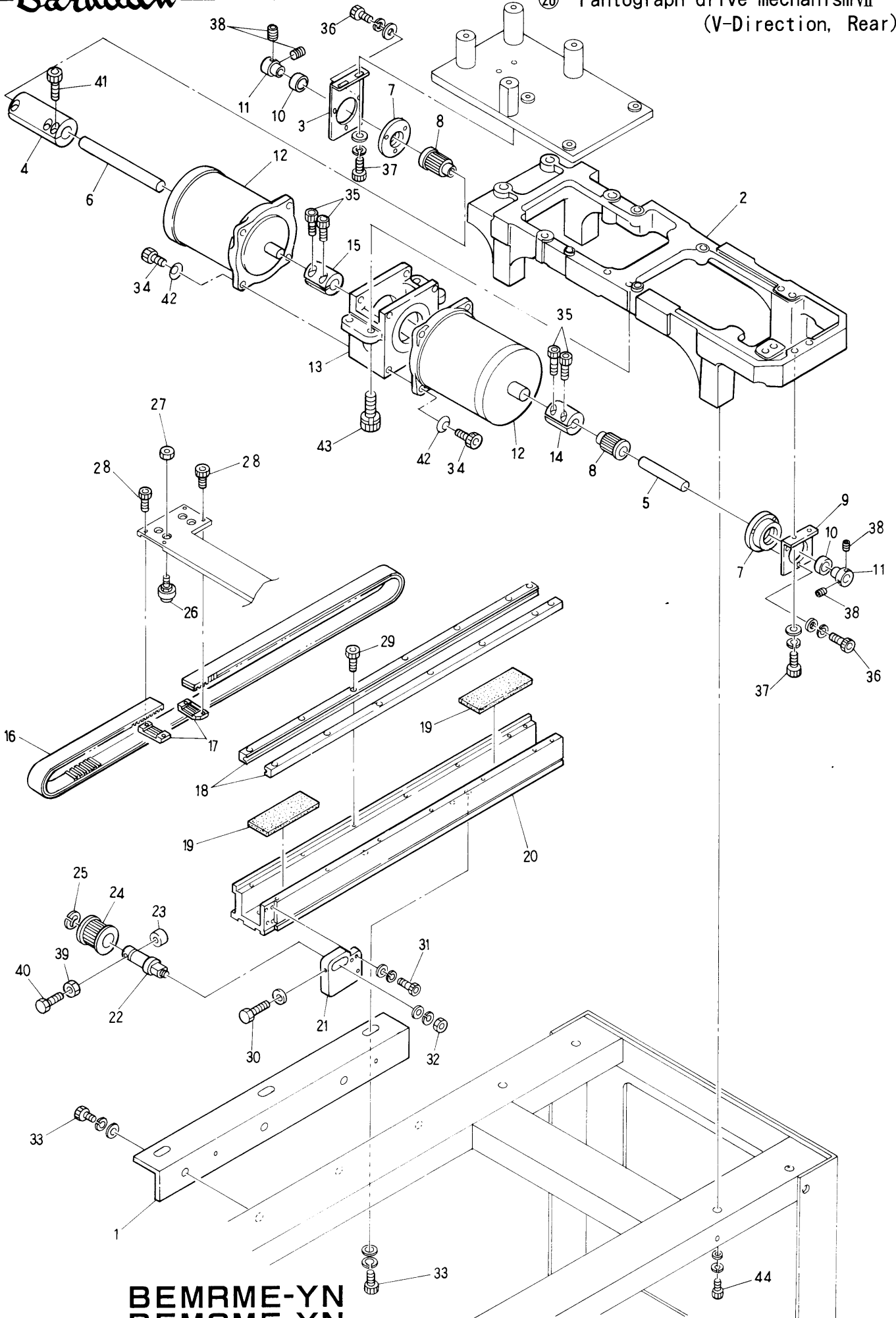


From the library of: Diamond Needle Corp

MODEL BEMRME-YN
BEMSME-YN
BEMXME-YN

Barudan

20 Pantograph drive mechanism VII
(V-Direction, Rear)



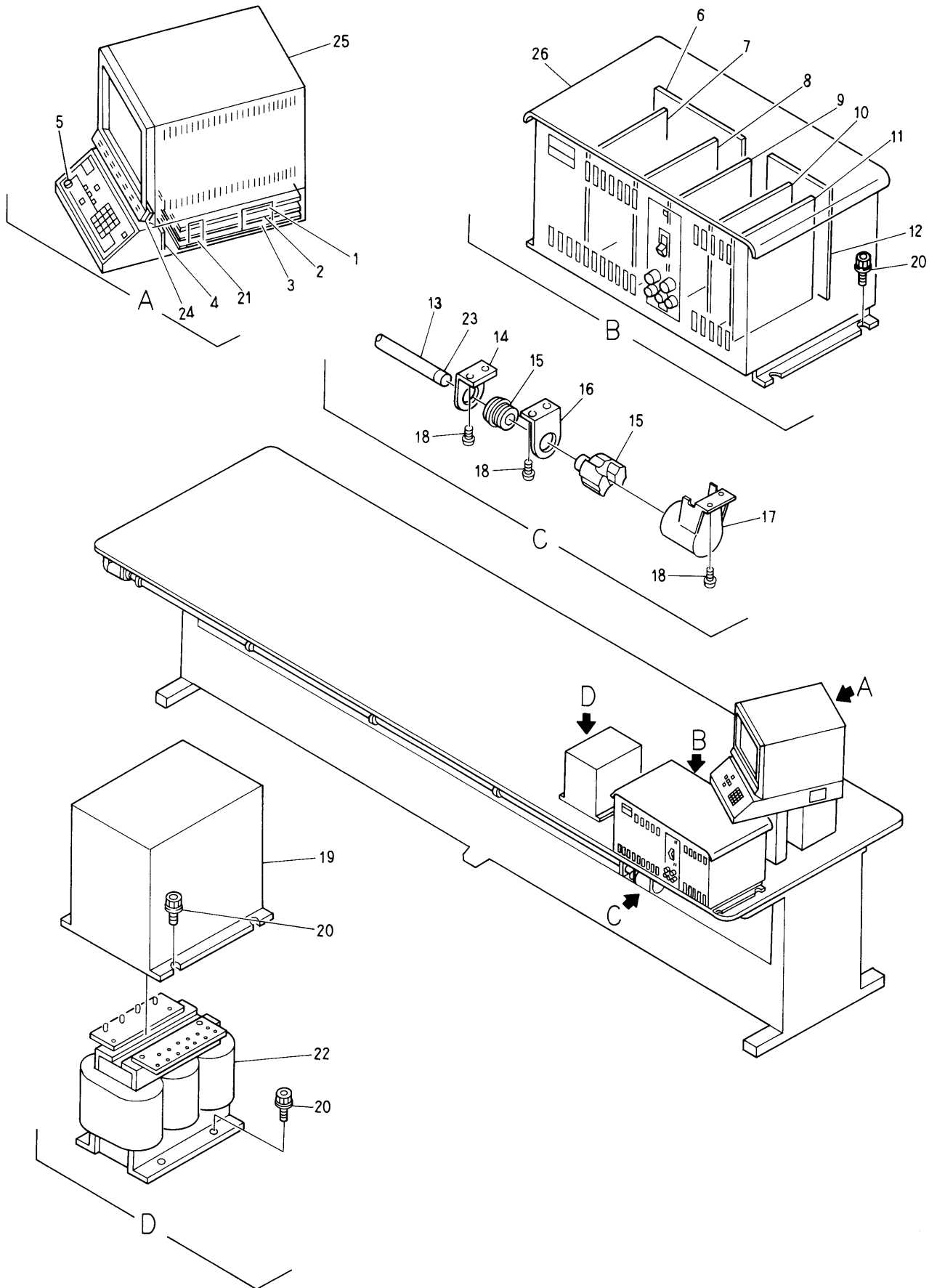
MODEL

BEMRME-YN
BEMSME-YN
BEMXME-YN

②⑩ Pantograph drive mechanismⅦ (V-Direction, Rear)

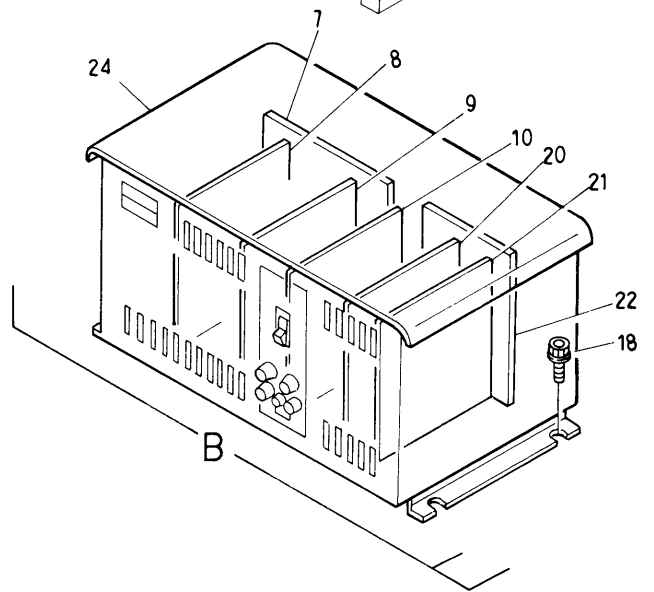
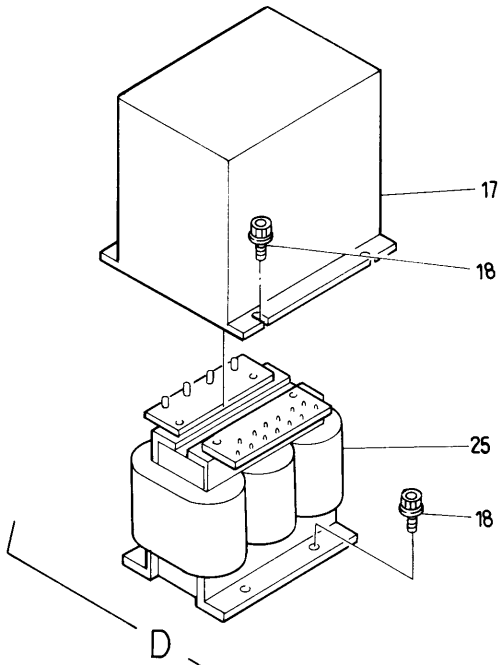
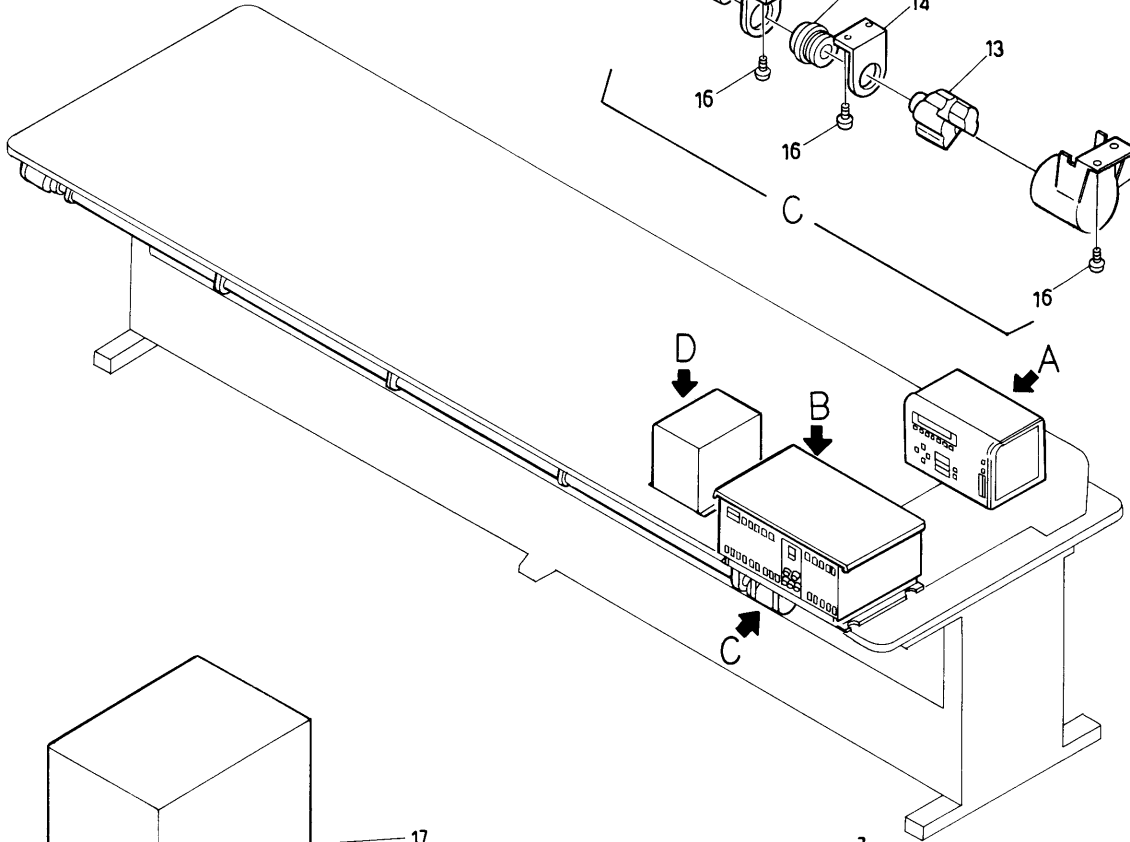
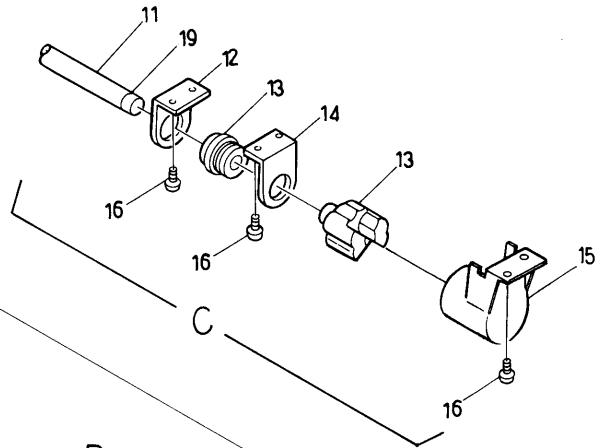
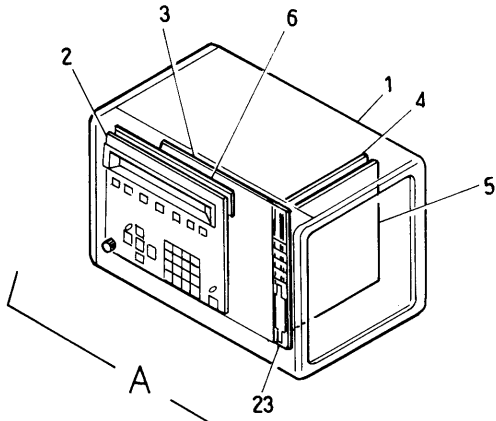
ITEM	LIST No.	DESCRIPTION	Q'TY	REMARK
1	KK480020	V-Guide rail base (Rear)	1	
2	KK310060	Control base unit	1	
3	KK310000	Bearing bracket	1	
4	KK310010	Clamping ϕ 19 with coupling	1	
5	KN490140	V-Timing belt shaft	1	
6	KK310050	V-Timing belt shaft	1	
7	KN490130	V-Timing belt shaft bearing housing	2	
8	HP482990	Pantograph driving pulley (Rear) (S5M)	2	
9	KN490121	Bearing bracket	1	
10	A9011110	Needle bearing HK2016	2	
11	HH481970	Pulse motor connecting shaft collar	2	
12	HH481900	Pulse motor (4M)	2	
13	KN470161	V-Pulse motor bracket	1	
14	KN490150	V-Pulse motor coupling	1	
15	HH481931	V-Pulse motor coupling	1	
16	A9020098	Timing belt (300S 5M2000)	1	
17	HP482940	Timing belt set rack (5M)	2	
18	KN483450	V-Guide rail (L=660)	2	
19	KN480061	Rail base felt (100×38×6)	2	
20	KN483420	V-Guide rail base (Stroke 480)	1	
21	KN482000	H-Guide front pulley bracket	1	
22	HH481991	Timing pulley shaft	1	
23	HH482110	Pulley shaft bolt cap	1	
24	HP482980	Pantograph driving pulley (Front) (S5M)	1	
25	A9012052	E-Ring (ϕ 10)	1	
26	HP482950	Roller pin a'ssy A	4	
27		Hex, nut M5		
28		Hex, socket bolt M3×6		
29		Hex, socket bolt M4×15		
30		Hex, bolt M4×25		
31		Hex, socket bolt M4×18		
32		Hex, nut M8		
33		Hex, socket bolt M8×20		
34		Hex, socket bolt M6×22		
35		Hex, socket bolt M5×28		
36		Hex, socket bolt M4×10		
37		Hex, socket bolt M5×12		
38		Hex, socket set M5×8		
39		Hex, nut M4		
40		Hex, bolt M4×35		
41		Hex, socket bolt M5×15		
42		Disc spring 6 for hex, socket bolt		
43		Hex, socket bolt M6×25 (With spring washer)		
44		Hex, socket bolt M8×25		

From the library of: Diamond Needle Corp



From the library of: Diamond Needle Corp

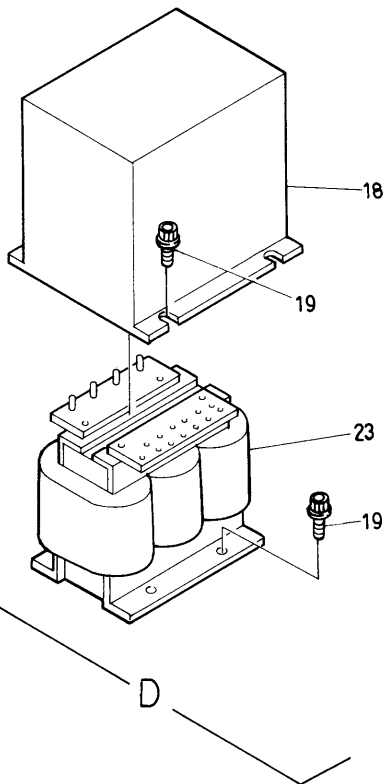
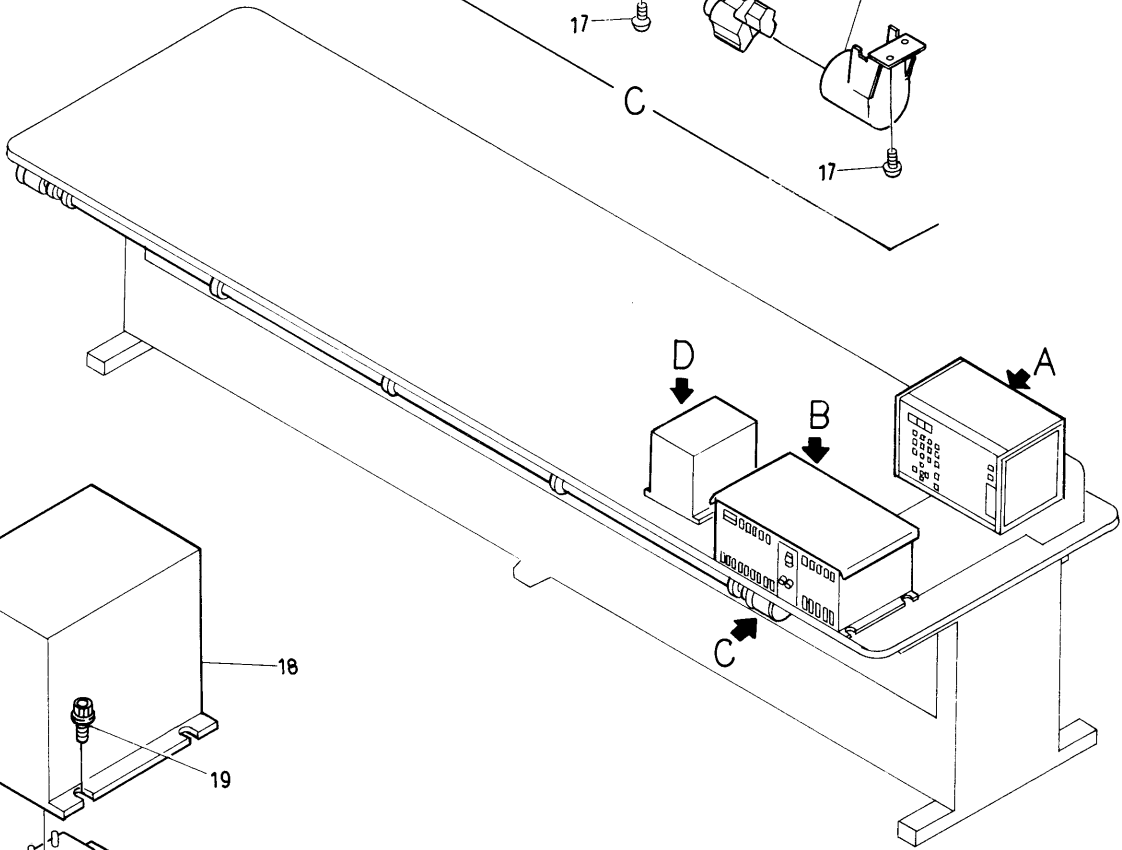
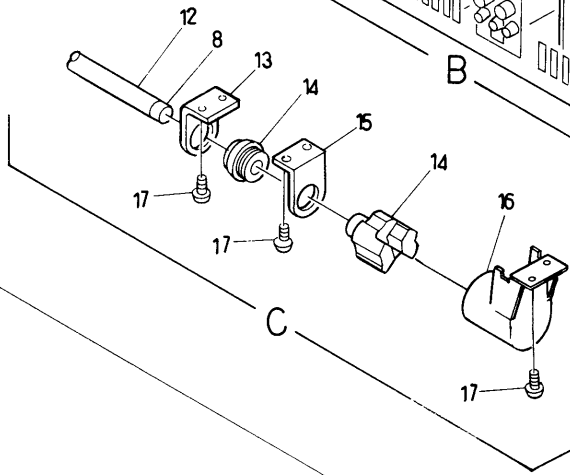
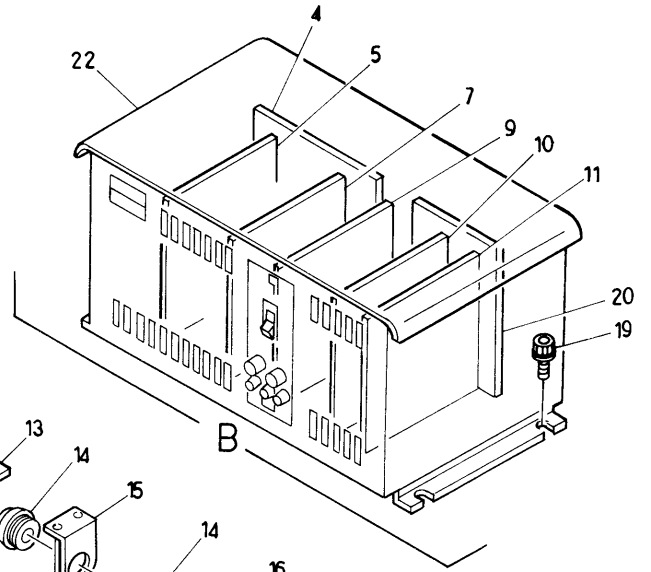
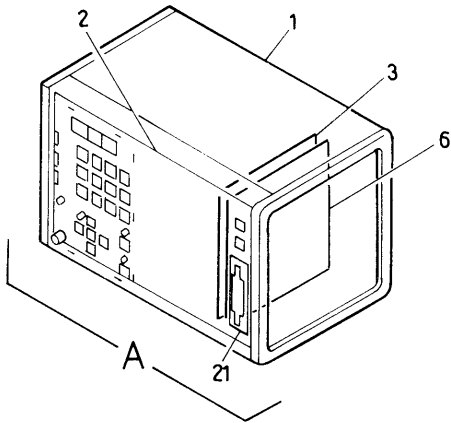
MODEL
BEMRME-YN
BEMSME-YN
BEMXME-YN



From the library of: Diamond Needle Corp

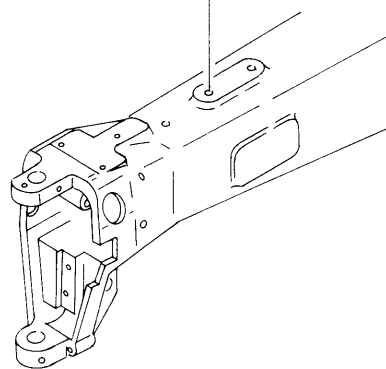
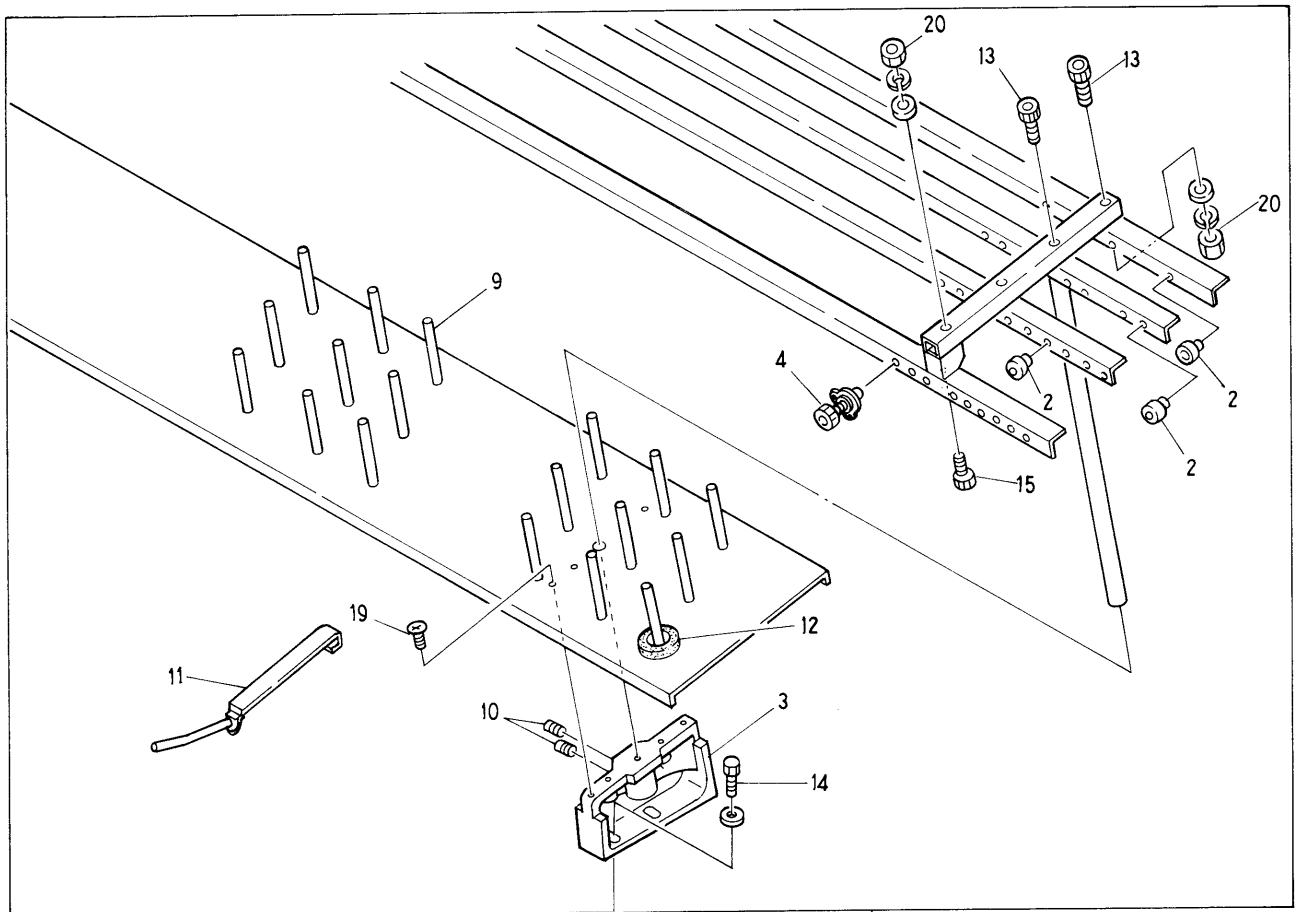
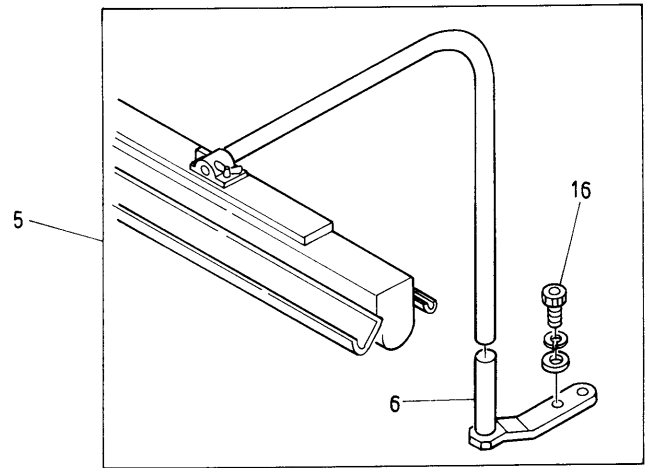
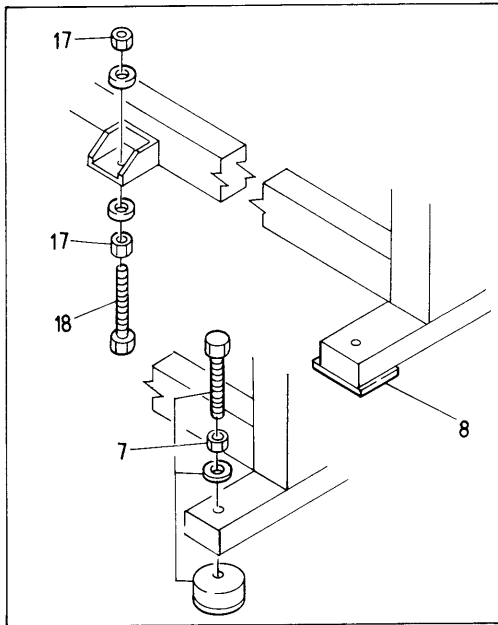
Barudan

② Control system <BEMXME-YN>



MODEL

BEMRME-YN
BEMSME-YN
BEMXME-YN

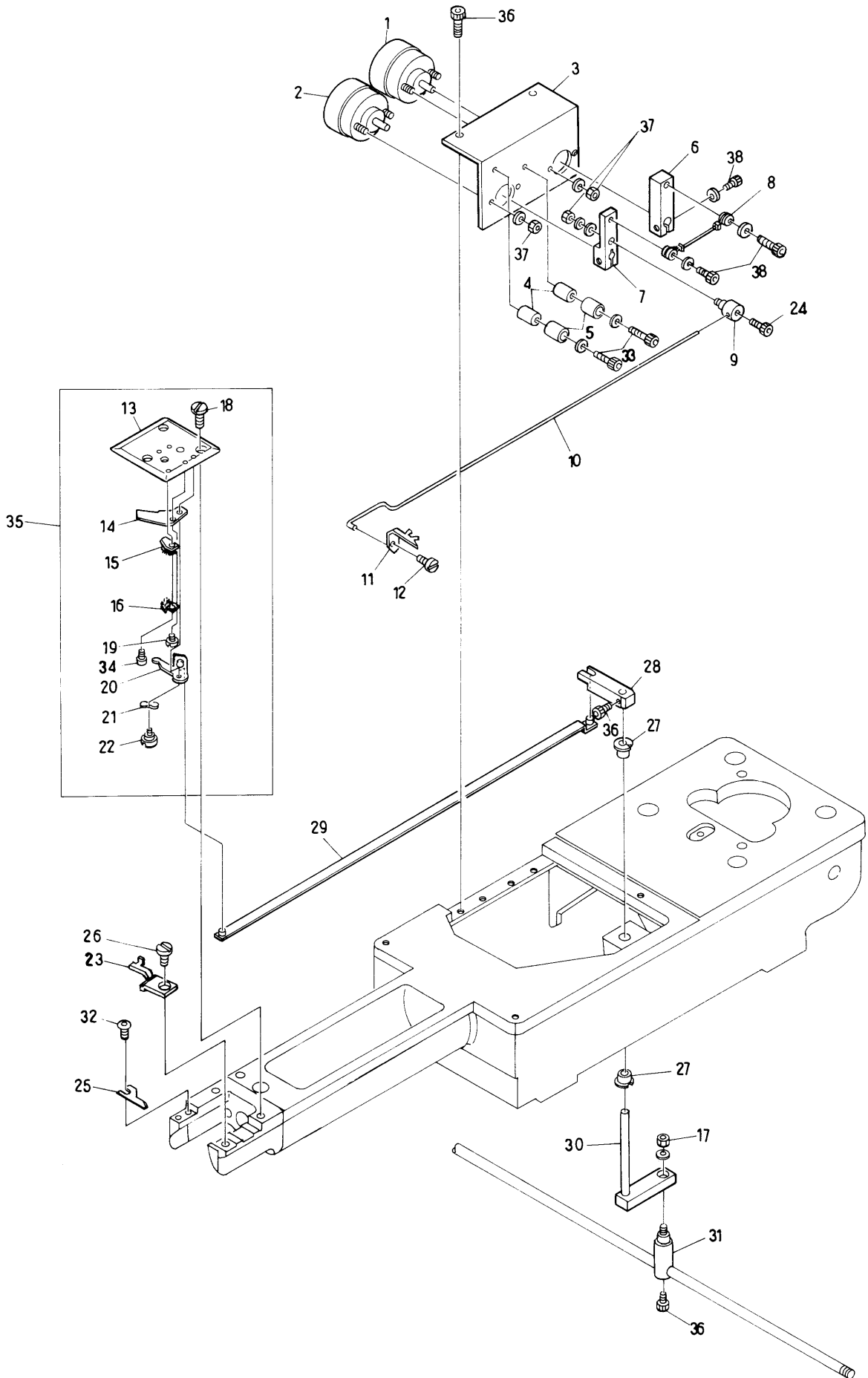


MODEL

BEMRME-YN
BEMSME-YN
BEMXME-YN

Barudan

②③ Automatic thread cutting mechanism I
(Thread cutting section)



MODEL

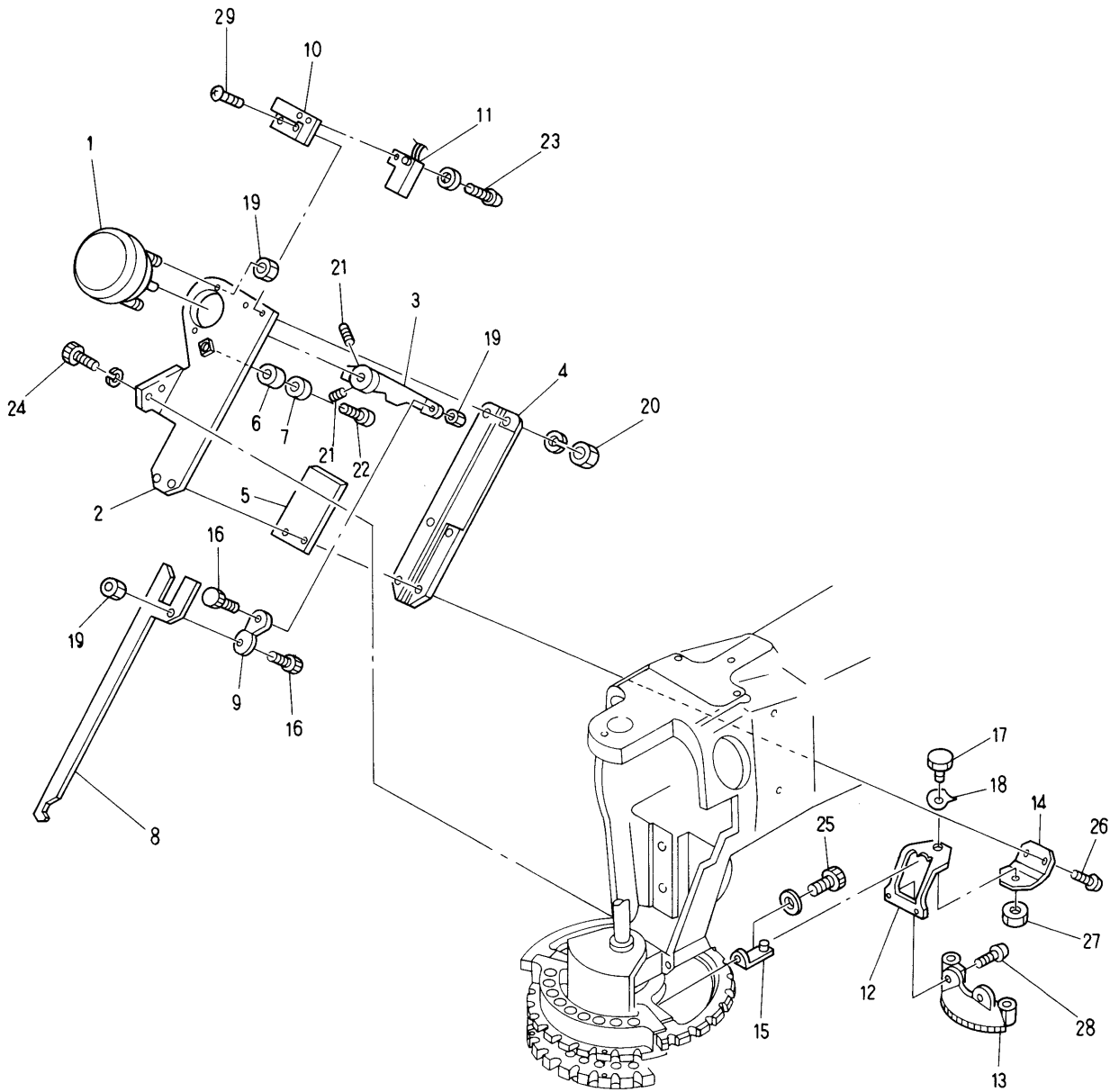
BEMRME-YN
BEMSME-YN
BEMXME-YN

Barudan

24

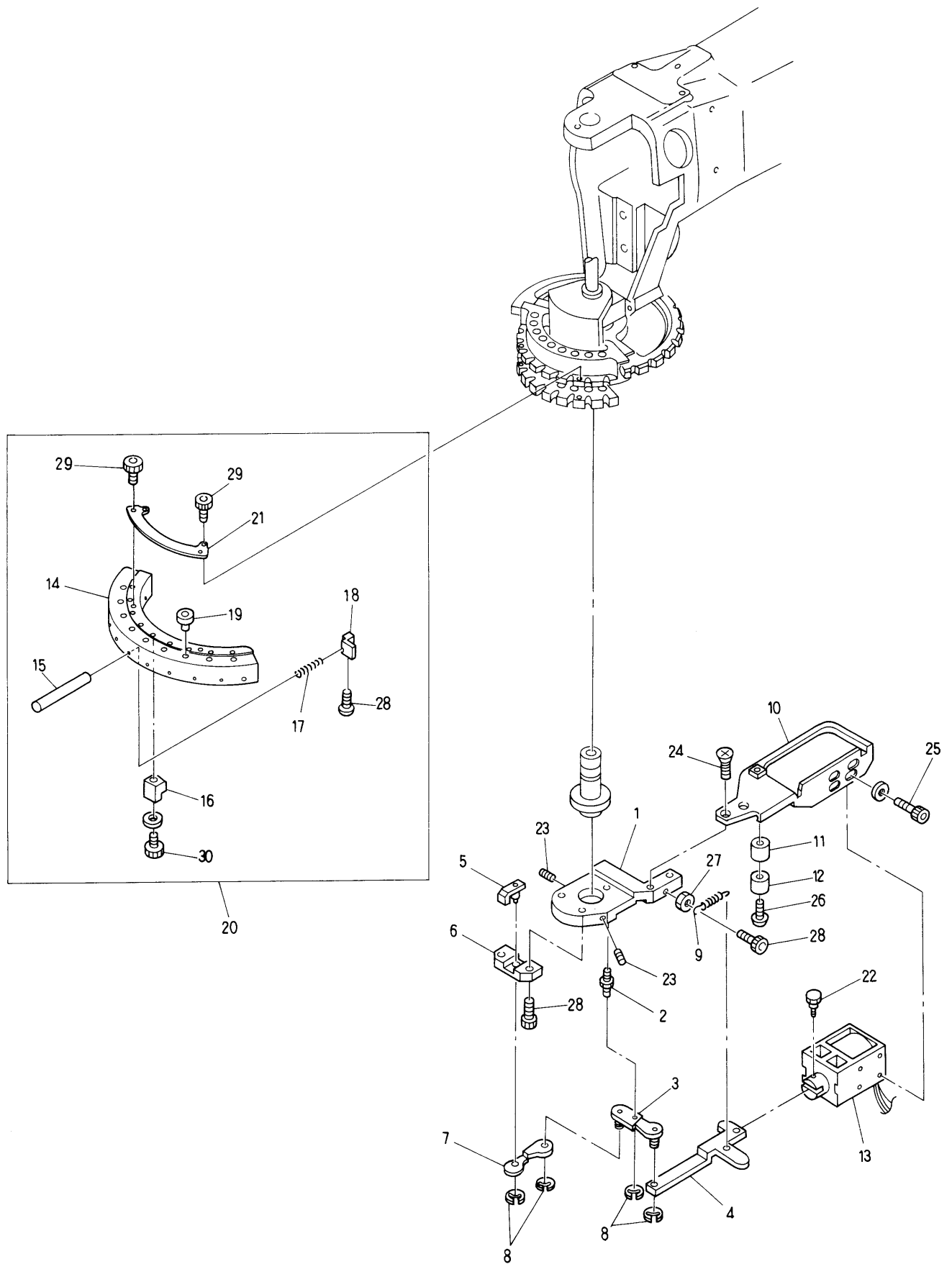
Automatic thread cutting mechanism II

(Thread away section)



MODEL

BEMRME-YN
BEMSME-YN
BEMXME-YN

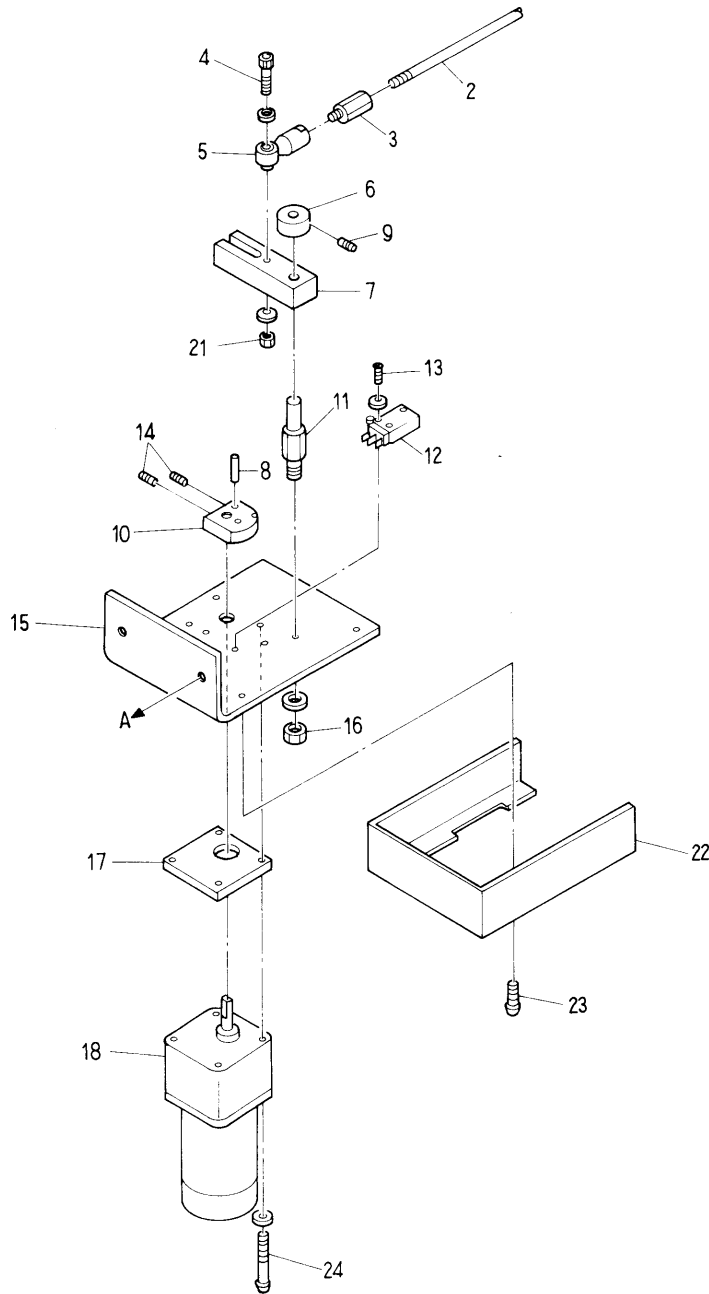
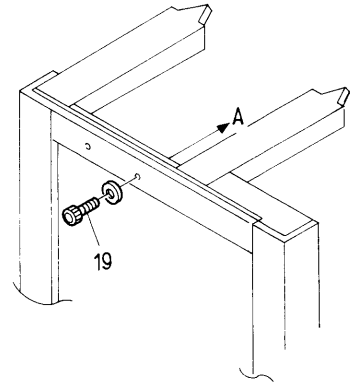
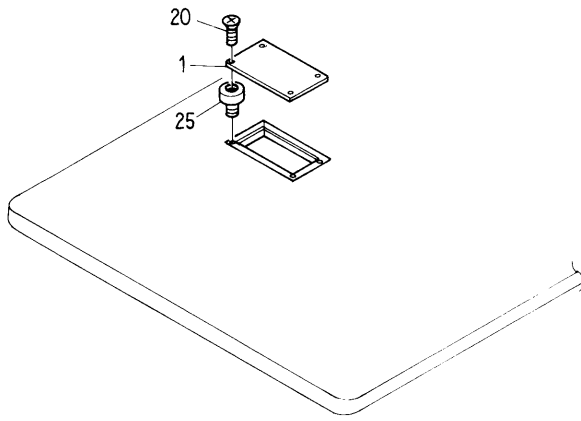


From the library of: Diamond Needle Corp

MODEL
BEMRME-YN
BEMSME-YN
BEMXME-YN

Barudan

②⑥ Automatic thread cutting mechanismIV
(Drive mechanism)

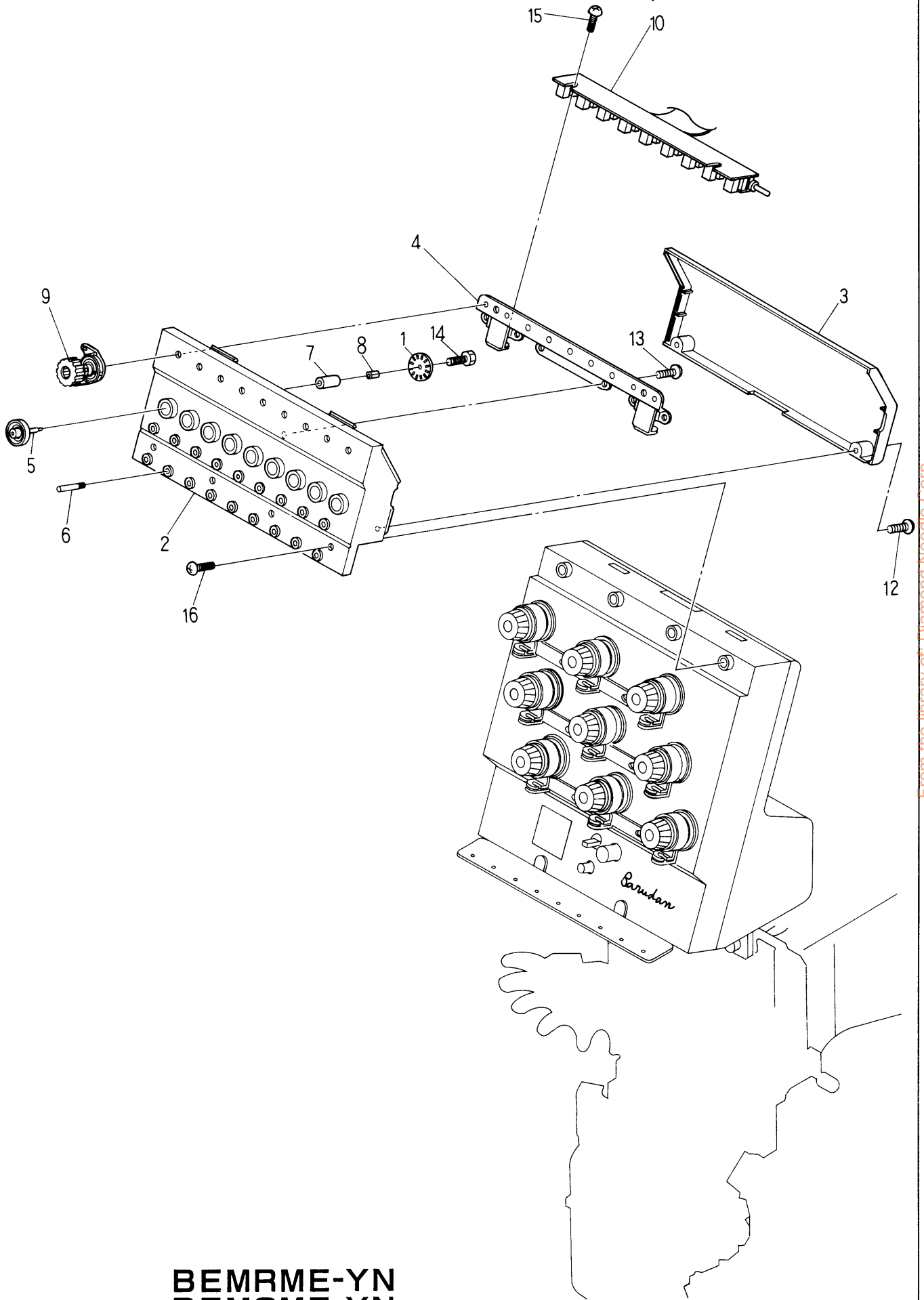


MODEL

BEMRME-YN
BEMSME-YN
BEMXME-YN

Barudan

27 Thread guide mechanism
(Lower thread sensorium)



From the library of: Diamond Needle Corp

MODEL

BEMRME-YN
BEMSME-YN
BEMXME-YN

I N D E X

LIST No.	PAGE No.	ITEM	LIST No.	PAGE No.	ITEM
1AKK123804801	3	2	A 9 0 1 2 2 3 1	7	8
1BKK123804800	3	1	A 9 0 1 2 2 5 0	7	6
1FKK123804800	2 9	1	A 9 0 1 2 2 5 5	7	1 1
1 H P 1 2 3 0 0	4 9	1	A 9 0 1 2 2 5 9	3	1 4
1KKK123804800	3	3	A 9 0 1 2 2 6 3	3 3	8
1PKD12380480BA	9	2 7	A 9 0 1 2 2 6 4	3 1	2 7
1WKK123804800	2 9	2	A 9 0 1 2 2 6 6	5	8
A 9 0 1 0 0 1 7	9	5	A 9 0 1 2 2 9 1	1 5	1 7
A 9 0 1 0 0 3 6	3 1	1 7	A 9 0 1 3 0 4 5	5 1	2 1
A 9 0 1 1 0 1 7	2 7	4	A 9 0 1 3 0 4 5	5 3	1 8
A 9 0 1 1 0 2 1	1 3	7	A 9 0 1 4 0 5 1	1 9	1 9
A 9 0 1 1 0 2 1	1 5	2 1	A 9 0 1 4 0 5 5	1 5	1 9
A 9 0 1 1 0 2 1	1 5	2 1	A 9 0 1 4 0 6 3	9	3 8
A 9 0 1 1 0 2 2	1 5	2 3	A 9 0 2 0 0 9 8	3 5	2 0
A 9 0 1 1 0 2 3	1 5	2 0	A 9 0 2 0 0 9 8	3 7	2 0
A 9 0 1 1 1 0 7	7	7	A 9 0 2 0 0 9 8	3 9	1 4
A 9 0 1 1 1 1 0	3 5	9	A 9 0 2 0 0 9 8	4 1	1 6
A 9 0 1 1 1 1 0	3 7	9	A 9 0 2 0 2 0 0	2 7	1 6
A 9 0 1 1 1 1 0	4 1	1 0	A 9 0 5 2 0 0 5	5 7	1 2
A 9 0 1 1 1 1 5	1 7	9	A 9 0 5 2 0 2 4	3 7	1 5
A 9 0 1 1 1 3 1	3 1	2 3	A 9 0 5 2 0 2 4	3 9	3 4
A 9 0 1 1 1 3 2	3 1	2 5	A 9 0 5 2 0 2 8	5 3	1 1
A 9 0 1 1 1 5 2	1 3	6	A 9 0 5 2 0 3 0	3 7	2 5
A 9 0 1 2 0 0 1	2 3	1 3	A 9 0 5 2 0 3 0	3 9	2 0
A 9 0 1 2 0 0 2	2 5	8	A 9 0 5 2 0 3 1	3 7	1 6
A 9 0 1 2 0 0 2	5 7	5	A 9 0 5 2 0 3 1	3 9	1 2
A 9 0 1 2 0 0 7	9	3 4	A 9 0 5 6 0 0 8	5 1	2
A 9 0 1 2 0 0 7	1 1	2 3	A 9 0 5 6 0 1 2	5 1	1
A 9 0 1 2 0 0 7	5 1	2 6	A 9 0 5 6 0 1 3	5 5	1 3
A 9 0 1 2 0 2 7	1 1	1 6	A 9 0 5 6 0 1 8	5 3	1
A 9 0 1 2 0 5 1	1 9	2 0	A 9 0 5 6 0 2 0	1 9	6
A 9 0 1 2 0 5 2	3 5	6	A 9 0 6 5 0 2 6	5 7	1 8
A 9 0 1 2 0 5 2	3 7	6	A 9 0 6 5 0 3 5	2 3	2 7
A 9 0 1 2 0 5 2	3 9	1 0	E A Y 0 1 7 A 1	4 3	2 5
A 9 0 1 2 0 5 2	4 1	2 5	E A Y 0 2 1 A 2	4 3	2 6
A 9 0 1 2 0 5 3	1 5	3 1	E A Y 0 2 1 A 2	4 5	2 4
A 9 0 1 2 0 5 6	5 5	8	E A Y 0 2 1 A 3	4 3	2 2
A 9 0 1 2 0 6 4	3 1	2 2	E A Y 0 2 1 A 3	4 5	1
A 9 0 1 2 1 1 4	5 1	2 7	E A Y 0 2 1 A 3	4 5	2 5
A 9 0 1 2 1 3 7	2 5	7	E A Y 0 2 1 A 3	4 7	2 3
A 9 0 1 2 1 4 3	2 5	5	E A Y 0 2 2 A 3	4 3	2 2
A 9 0 1 2 1 6 4	1 3	2 9	E A Y 0 2 2 A 3	4 5	2 5
A 9 0 1 2 1 6 4	3 1	2 4	E A Y 0 2 2 A 3	4 7	2 3
A 9 0 1 2 1 9 0	1 7	4	E A Y 0 2 3 A 1	4 7	1
A 9 0 1 2 2 0 8	2 3	2 0	E B Y 0 0 4 5 0	4 3	1

I N D E X

L I S T	No.	P A G E No.	ITEM	L I S T	No.	P A G E No.	ITEM
E B Y 0 0 4 6 0		4 3	2	H B 2 3 0 1 7 0		1 5	2 4
E B Y 0 0 4 7 0		4 3	3	H B 2 3 0 2 7 0		1 3	2 1
E B Y 0 0 4 8 0		4 3	4	H B 2 3 0 2 9 1		1 3	4
E B Y 0 0 4 9 0		4 3	5	H B 2 3 0 3 7 2		1 7	1 0
E B Y 0 0 5 0 0		4 3	2 4	H B 2 3 0 3 8 3		1 7	5
E B Y 0 0 5 1 0		4 3	1 1	H B 2 3 0 3 9 0		1 7	3
E B Y 0 0 5 1 0		4 5	2 1	H B 2 3 0 4 0 1		1 7	1
E B Y 0 0 5 1 0		4 7	1 1	H B 2 3 0 4 1 4		1 7	1 2
E B Y 0 0 5 2 0		4 3	1 0	H B 2 3 0 4 2 0		1 7	1 1
E B Y 0 0 5 2 0		4 5	2 0	H B 2 3 0 4 6 0		1 9	5
E B Y 0 0 5 2 0		4 7	1 0	H B 2 3 0 4 7 0		1 9	4
E B Y 0 0 5 3 0		4 3	8	H B 2 3 0 5 6 0		1 9	7
E B Y 0 0 5 3 0		4 5	9	H B 2 3 0 5 8 0		1 9	1 3
E B Y 0 0 5 3 0		4 7	7	H B 2 3 0 5 9 0		1 7	2
E B Y 0 0 5 4 0		4 3	7	H B 2 3 0 6 5 0		1 3	3 5
E B Y 0 0 5 4 0		4 5	8	H B 2 3 0 7 5 0		1 3	2 2
E B Y 0 0 5 4 0		4 7	5	H B 2 4 0 0 2 0		1 9	1 4
E B Y 0 0 5 5 0		4 3	9	H B 2 4 0 0 3 0		1 9	1 5
E B Y 0 0 5 5 0		4 5	1 0	H B 2 4 0 0 4 0		1 9	9
E B Y 0 0 5 5 0		4 7	9	H B 2 4 0 0 5 0		1 9	1 0
E B Y 0 0 5 6 0		4 3	1 2	H B 2 4 0 0 7 0		1 9	1 8
E B Y 0 0 5 6 0		4 5	2 2	H B 2 4 0 0 8 0		1 9	2 2
E B Y 0 0 5 6 0		4 7	2 0	H B 2 4 0 0 9 0		1 9	2 1
E B Y 0 0 5 7 0		4 3	6	H B 2 4 0 1 1 0		1 9	1 7
E B Y 0 0 5 7 0		4 5	7	H B 2 4 0 3 1 0		1 9	8
E B Y 0 0 5 7 0		4 7	4	H B 2 4 0 3 3 0		1 9	1 2
E B Y 0 0 6 3 0		4 3	2 1	H B 2 4 0 3 4 0		1 9	1 1
E B Y 0 0 6 3 0		4 5	2 3	H H 1 2 0 9 0 0		4 9	7
E B Y 0 0 6 3 0		4 7	2 1	H H 3 2 0 5 5 0		2 7	2 7
E B Y 0 0 9 3 0		4 7	2	H H 4 8 1 9 0 0		3 5	1 5
E B Y 0 0 9 4 0		4 5	4	H H 4 8 1 9 0 0		4 1	1 2
E B Y 0 0 9 4 0		4 7	3	H H 4 8 1 9 3 1		3 5	1 6
E B Y 0 0 9 5 0		4 5	5	H H 4 8 1 9 3 1		4 1	1 5
E B Y 0 0 9 5 0		4 7	6	H H 4 8 1 9 7 0		3 5	1 2
E B Y 0 0 9 7 0		4 5	3	H H 4 8 1 9 7 0		3 7	1 2
E B Y 0 0 9 8 0		4 5	6	H H 4 8 1 9 7 0		4 1	1 1
E B Y 0 0 9 9 0		4 5	2	H H 4 8 1 9 8 0		3 5	1 1
E B Y 0 1 1 0 0		2 1	1 2	H H 4 8 1 9 8 0		3 7	1 1
E B Y 0 1 1 2 0		2 3	6	H H 4 8 1 9 9 1		3 5	3
E B Y 0 2 1 A 2		4 7	2 2	H H 4 8 1 9 9 1		3 7	3
F R 6 0 0 5 2 8		3 1	2	H H 4 8 1 9 9 1		3 9	7
F R 6 0 0 5 2 9		3 1	3	H H 4 8 1 9 9 1		4 1	2 2
F R 9 2 3 0 0 2 9 0 A		3 1	1	H H 4 8 2 1 1 0		3 5	4
H B 2 3 0 1 4 0		1 5	2 2	H H 4 8 2 1 1 0		3 7	4
H B 2 3 0 1 6 0		1 3	2 0	H H 4 8 2 1 1 0		3 9	8

From the library of: Diamond Needle Corp

I N D E X

LIST	No.	PAGE No.	ITEM	LIST	No.	PAGE No.	ITEM
HH 4 8 2 1 1 0		4 1	2 3	HT 2 4 0 0 6 0		2 1	1 0
HP 2 3 1 3 9 0		9	1 3	HT 2 4 0 1 0 0		5 9	1
HP 2 4 1 4 3 0		4 9	4	HT 2 4 0 1 2 0		2 1	1
HP 4 8 2 9 4 0		3 5	2 1	HT 2 4 0 1 3 0		2 1	2
HP 4 8 2 9 4 0		3 7	2 1	HT 2 4 0 1 4 0		2 1	3
HP 4 8 2 9 4 0		3 9	5	HT 2 4 0 1 5 0		2 1	4
HP 4 8 2 9 4 0		4 1	1 7	HT 2 4 0 1 6 0		2 1	5
HP 4 8 2 9 5 0		3 3	9	HT 2 4 0 1 7 0		2 1	6
HP 4 8 2 9 5 0		3 5	2 3	HT 2 4 0 1 8 0		2 1	7
HP 4 8 2 9 5 0		3 7	2 3	HT 2 4 0 2 1 0		2 1	1 5
HP 4 8 2 9 5 0		3 9	1 6	HT 2 4 0 2 2 0		2 1	1 6
HP 4 8 2 9 5 0		4 1	2 6	HT 2 4 0 2 3 0		2 1	1 7
HP 4 8 2 9 8 0		3 5	5	HT 2 4 0 2 4 0		2 1	1 8
HP 4 8 2 9 8 0		3 7	5	HT 2 4 0 2 5 0		5 9	2
HP 4 8 2 9 8 0		3 9	9	HT 2 4 0 2 7 0		5 9	3
HP 4 8 2 9 8 0		4 1	2 4	HT 2 4 0 2 8 0		5 9	4
HP 4 8 2 9 9 0		3 5	1 0	HT 2 4 0 2 9 0		5 9	5
HP 4 8 2 9 9 0		3 7	1 0	HT 2 4 0 3 0 0		5 9	6
HP 4 8 2 9 9 0		4 1	8	HT 2 4 0 3 1 0		5 9	7
HP 4 8 3 1 1 1		3 9	1 7	HT 2 4 0 3 2 0		2 1	1 4
HP 4 8 3 3 7 0		3 9	1 8	HT 2 4 0 3 3 0		2 1	1 9
HP 7 1 0 7 9 0		4 9	3	HT 2 4 0 3 4 0		5 9	9
HS 4 6 0 0 3 0		3 1	5	HT 2 7 0 0 0 0		5 5	1 4
HS 4 6 0 0 5 0		3 1	6	HT 2 7 0 0 1 0		5 5	2 1
HS 4 6 0 2 0 0		3 1	4	HT 2 7 0 0 2 0		5 5	1 8
HS 4 6 0 2 1 0		3 1	7	HT 2 7 0 0 3 0		5 5	2 0
HS 7 3 0 0 0 0		3 1	1 0	HT 2 7 0 0 6 1		5 5	2 8
HT 2 3 0 0 0 0		1 5	1 8	KB 2 1 0 1 6 0		9	2 5
HT 2 3 0 0 4 1		1 5	7	KB 2 1 0 1 7 0		1 9	1
HT 2 3 0 0 5 1		1 5	5	KB 2 3 0 0 1 0		9	2 8
HT 2 3 0 0 6 1		1 5	1 6	KB 2 3 0 0 3 0		9	3 1
HT 2 3 0 0 8 0		1 3	1 5	KB 2 3 0 0 5 0		9	3 3
HT 2 3 0 0 9 0		1 3	1 1	KB 2 3 0 0 6 0		1 7	8
HT 2 3 0 1 0 0		1 3	1 2	KB 2 3 0 0 7 0		1 7	7
HT 2 3 0 1 1 0		1 5	1 5	KB 2 3 0 0 8 0		1 7	6
HT 2 3 0 1 3 0		1 5	3	KB 2 3 0 0 9 0		1 3	5
HT 2 3 0 1 4 1		1 5	9	KB 2 3 0 1 0 0		1 3	8
HT 2 3 0 1 5 1		1 5	4	KB 2 3 0 1 1 0		1 3	9
HT 2 3 0 1 8 0		1 5	2 8	KB 2 3 0 1 6 1		1 3	1
HT 2 3 0 1 9 0		1 5	2	KB 2 3 0 1 7 0		1 9	3
HT 2 3 0 2 0 1		1 7	2 1	KB 2 4 0 0 1 0		1 3	1 4
HT 2 3 0 2 5 0		1 5	8	KB 2 4 0 0 2 1		1 3	3
HT 2 4 0 0 0 0		1 3	2	KB 2 4 0 0 3 0		1 9	2
HT 2 4 0 0 1 0		1 3	1 8	KB 2 4 0 0 4 0		1 9	1 6
HT 2 4 0 0 2 0		2 1	9	KB 2 4 0 0 5 1		2 1	1 3

I N D E X

LIST	No.	PAGE No.	ITEM	LIST	No.	PAGE No.	ITEM
KB 2 5 0 0 2 0		2 1	2 1	KC 3 3 0 1 8 0		2 3	1 0
KB 2 5 0 0 3 0		2 1	2 2	KC 3 3 0 1 8 0		5 7	6
KB 2 5 0 0 4 0		2 1	2 3	KC 3 3 0 1 9 0		2 3	8
KB 2 5 0 0 5 0		2 1	2 5	KC 3 3 0 2 1 0		2 3	2 5
KB 2 5 0 0 6 0		2 1	2 6	KC 3 3 0 2 3 0		2 5	6
KB 2 7 0 0 2 0		5 1	2 5	KC 3 3 0 2 6 0		2 5	1 2
KC 1 1 0 9 1 0		3	9	KC 3 3 0 2 8 0		2 3	2
KC 1 1 0 9 7 0		4 9	8	KC 3 3 0 2 9 0		2 5	3
KC 2 2 0 2 1 0		1 1	1 9	KC 3 3 0 4 1 0		1 5	2 5
KC 2 2 0 6 4 2		5 1	2 3	KC 3 3 0 4 1 0		1 7	1 8
KC 2 2 0 6 5 0		1 1	1 5	KC 3 3 0 4 1 0		5 7	2
KC 2 5 0 4 7 1		1 1	1 7	KC 3 3 0 5 1 0		2 5	9
KC 2 5 0 4 8 2		1 1	1 8	KC 3 3 0 5 1 0		5 7	3
KC 2 5 1 3 3 0		9	4 2	KC 3 3 0 6 1 0		2 3	2 1
KC 2 7 0 1 0 1		5 5	2 2	KC 3 3 0 8 5 0		2 5	1 1
KC 2 7 0 2 7 1		5 5	1 7	KC 3 3 0 9 1 0		2 5	1 6
KC 2 7 0 2 9 2		5 5	1 6	KC 5 2 0 0 2 0		4 3	1 9
KC 2 7 0 3 6 0		5 1	8	KC 5 2 0 0 2 0		4 5	1 7
KC 2 7 0 9 5 0		5 1	2 0	KC 5 2 0 0 2 0		4 7	1 8
KC 2 7 0 9 6 0		5 1	1 4	KC 5 3 0 2 3 0		4 3	1 6
KC 2 7 0 9 7 0		5 1	2 2	KC 5 3 0 2 3 0		4 5	1 4
KC 2 7 0 9 8 0		5 1	1 9	KC 5 3 0 2 3 0		4 7	1 5
KC 2 7 1 0 0 1		5 1	1 2	KC 5 3 0 2 4 0		4 3	1 4
KC 2 7 1 0 2 1		5 1	1 1	KC 5 3 0 2 4 0		4 5	1 2
KC 2 7 1 0 3 1		5 1	1 0	KC 5 3 0 2 4 0		4 7	1 3
KC 2 7 1 0 4 1		5 1	9	KF 2 2 0 1 3 0		9	1 1
KC 2 7 1 0 7 0		5 1	2 9	KF 2 2 0 2 3 0		1 1	1 0
KC 2 7 1 1 2 0		5 1	2 8	KF 2 2 0 2 7 1		1 1	4
KC 2 7 1 1 3 0		5 1	3 0	KF 2 2 0 2 9 0		1 1	1 1
KC 2 7 1 1 4 0		5 7	7	KF 2 2 0 4 1 0		1 1	8
KC 2 7 1 1 5 1		5 7	1 1	KF 2 2 0 4 4 0		1 1	7
KC 2 7 1 1 6 2		5 7	1 5	KF 2 2 0 4 6 0		9	1 9
KC 2 7 1 1 7 2		5 7	1 0	KF 2 2 0 4 7 0		1 1	1
KC 2 7 1 4 3 0		5 7	1 7	KF 2 2 0 4 8 0		1 1	1 3
KC 2 7 1 4 4 0		5 7	1	KF 2 2 0 7 5 0		1 1	9
KC 2 7 1 9 4 0		5 1	7	KF 2 3 0 2 3 0		1 5	1 2
KC 2 7 1 9 5 0		5 1	6	KF 2 3 0 2 4 0		1 5	1 3
KC 2 7 1 9 6 0		5 1	3	KF 2 3 0 2 5 0		1 5	1 4
KC 3 1 2 8 9 0		2 7	2 9	KF 2 3 0 3 6 0		2 3	1 7
KC 3 1 2 9 1 1		2 7	2 1	KF 2 3 0 4 2 0		9	3 0
KC 3 1 2 9 2 1		2 7	3 1	KF 2 3 0 5 0 0		1 3	1 3
KC 3 2 0 5 9 0		2 7	2 6	KF 2 3 0 5 8 0		5 5	1 9
KC 3 3 0 1 6 1		2 3	9	KF 2 3 0 6 3 0		1 7	1 4
KC 3 3 0 1 7 0		2 3	3	KF 2 3 0 6 3 0		2 5	2
KC 3 3 0 1 8 0		2 3	7	KF 2 3 0 6 4 0		1 7	1 6

From the library of: Diamond Needle Corp

I N D E X

LIST	No.	PAGE No.	ITEM	LIST	No.	PAGE No.	ITEM
K F 2 3 0 6 4 0		5 1	3 1	K K 1 4 0 1 5 1		7	5
K F 2 3 0 6 5 0		1 7	1 5	K K 1 4 0 1 6 0		3	1 3
K F 2 3 0 6 6 1		1 7	1 9	K K 1 4 0 1 7 0		3	7
K F 2 3 0 6 7 0		1 7	2 0	K K 1 4 0 2 0 1		5	7
K F 2 3 0 9 1 0		1 5	1 0	K K 1 4 0 2 1 0		5	5
K F 2 3 0 9 3 0		1 5	1 1	K K 1 4 0 2 2 0		5	4
K F 2 4 0 9 0 0		4 9	2	K K 1 4 0 2 7 0		3	5
K F 2 5 0 9 0 0		1 1	2 1	K K 1 4 0 2 8 1		5	6
K F 3 3 0 3 8 1		1 5	2 7	K K 1 4 0 2 9 1		5	9
K F 3 3 0 3 8 1		1 7	1 7	K K 1 4 0 3 2 0		7	9
K F 5 3 0 1 1 1		4 3	1 5	K K 1 4 0 3 3 0		7	1 0
K F 5 3 0 1 1 1		4 5	1 3	K K 1 4 0 3 4 0		7	1 2
K F 5 3 0 1 1 1		4 7	1 4	K K 1 4 0 3 5 0		5	1 0
K F 5 3 0 1 2 0		4 3	1 5	K K 1 4 0 3 6 0		7	1 3
K F 5 3 0 1 2 0		4 5	1 3	K K 1 4 0 3 7 0		5	2 1
K F 5 3 0 1 2 0		4 7	1 4	K K 3 1 0 0 0 0		4 1	3
K F 5 3 0 1 5 1		4 3	1 7	K K 3 1 0 0 1 0		4 1	4
K F 5 3 0 1 5 1		4 5	1 5	K K 3 1 0 0 2 0		2 7	4 0
K F 5 3 0 1 5 1		4 7	1 6	K K 3 1 0 0 3 0		2 7	2
K F 5 3 0 1 6 0		4 3	1 3	K K 3 1 0 0 4 0		2 7	1 9
K F 5 3 0 1 6 0		4 5	1 1	K K 3 1 0 0 5 0		4 1	6
K F 5 3 0 1 6 0		4 7	1 2	K K 3 1 0 0 6 0		4 1	2
K F 5 3 0 1 7 1		4 3	2 3	K K 4 6 0 0 0 0		3 1	1 9
K F 5 3 0 1 7 1		4 5	1 9	K K 4 6 0 0 1 0		3 1	1 6
K F 5 3 0 1 7 1		4 7	8	K K 4 6 0 0 2 0		3 1	2 0
K F 7 1 0 3 0 0		4 9	5	K K 4 6 0 0 3 1		3 1	1 8
K F 7 1 0 3 9 0		4 9	1 2	K K 4 6 0 0 4 0		3 1	1 4
K G 2 3 0 6 1 0		2 5	1	K K 4 6 0 0 5 0		3 1	9
K G 2 7 0 3 1 0		5 5	1 5	K K 4 6 0 0 6 1		3 1	1 1
K G 3 3 0 2 2 0		2 3	1 4	K K 4 6 0 0 7 0		3 1	1 2
K G 7 1 0 1 6 1		4 9	6	K K 4 6 0 0 8 0		3 1	1 5
K K 1 4 0 0 0 0		3	8	K K 4 6 0 0 9 0		3 1	1 3
K K 1 4 0 0 1 0		7	2	K K 4 6 0 1 2 0		3 1	2 1
K K 1 4 0 0 2 0		3	1 1	K K 4 6 0 1 3 0		3 1	8
K K 1 4 0 0 3 0		7	4	K K 4 6 0 1 4 0		3 1	2 6
K K 1 4 0 0 5 0		5	2	K K 4 7 0 0 0 0		3 5	1 9
K K 1 4 0 0 6 1		3	1 2	K K 4 8 0 0 0 0		2 9	3
K K 1 4 0 0 7 0		7	1	K K 4 8 0 0 1 0		3 5	1
K K 1 4 0 0 8 0		7	1 4	K K 4 8 0 0 1 0		3 7	1
K K 1 4 0 1 0 1		3	1 0	K K 4 8 0 0 2 0		4 1	1
K K 1 4 0 1 1 1		5	3	K K 4 8 0 0 3 0		3 9	1
K K 1 4 0 1 2 0		5	1	K K 4 8 0 0 4 0		3 3	3
K K 1 4 0 1 3 0		3 5	2 2	K K 4 8 0 0 5 0		3 3	5
K K 1 4 0 1 3 0		3 7	2 2	K K 4 8 0 0 7 0		3 3	1
K K 1 4 0 1 4 1		7	3	K K 4 8 0 0 9 0		2 9	5

I N D E X

LIST No.	PAGE No.	ITEM	LIST No.	PAGE No.	ITEM
KK 4 8 0 1 0 0	2 9	4	KL 2 7 0 1 4 0	5 5	1 2
KK 4 8 0 1 1 0	3 9	1 5	KL 2 7 0 1 5 0	5 3	6
KK 4 8 0 1 2 0	3 3	7	KL 2 7 0 1 5 0	5 5	1 1
KK 4 8 0 1 3 1	3 3	4	KL 2 7 0 2 6 0	5 3	1 0
KK 4 8 0 1 4 0	3 3	2	KL 2 7 0 3 8 0	5 1	1 3
KK 4 8 0 1 4 0	3 5	1 3	KL 2 7 0 3 9 0	5 1	3 5
KK 4 8 0 1 4 0	3 7	1 3	KL 2 7 0 4 0 0	5 3	1 3
KK 4 8 0 1 6 1	3 3	6	KL 2 7 0 4 1 0	5 3	1 7
KL 2 1 0 1 1 3	1 1	6	KL 2 7 0 4 2 0	5 3	1 5
KL 2 1 0 1 4 0	9	1 7	KL 2 7 0 4 3 0	5 3	1 2
KL 2 2 0 0 0 0	9	1 6	KL 2 7 0 4 4 0	5 3	1 4
KL 2 2 0 0 1 0	9	2 4	KL 2 7 0 4 5 0	5 3	5
KL 2 2 0 0 2 0	9	2 9	KL 2 7 0 5 2 0	5 5	9
KL 2 2 0 0 3 0	9	1 5	KL 3 1 0 0 7 1	2 7	3 4
KL 2 2 0 0 4 0	9	6	KL 3 1 0 0 8 1	2 7	3 8
KL 2 2 0 0 5 0	9	2 1	KL 3 1 0 1 0 0	2 7	3 3
KL 2 2 0 0 6 0	1 1	2	KL 3 2 0 0 0 0	9	3 5
KL 2 2 0 0 7 0	1 1	1 2	KL 3 2 0 0 2 0	9	3 7
KL 2 2 0 0 8 0	9	1 2	KL 3 3 0 0 1 0	2 5	1 8
KL 2 2 0 0 9 0	9	4	KL 3 3 0 0 2 0	2 5	1 7
KL 2 2 0 1 0 0	9	1	KL 3 3 0 0 4 0	2 3	1 8
KL 2 2 0 1 2 0	1 1	2 0	KL 3 3 0 0 5 0	2 3	1 6
KL 2 2 0 1 3 0	9	1 4	KN 2 3 1 3 5 0	2 5	1 4
KL 2 2 0 1 4 0	9	2 0	KN 2 7 1 1 9 0	5 1	1 6
KL 2 2 0 1 4 0	1 1	3	KN 2 7 1 2 2 0	5 1	1 5
KL 2 2 0 1 5 0	9	8	KN 2 7 1 7 1 2	5 7	2 2
KL 2 3 0 2 8 0	1 7	1 3	KN 2 7 2 3 5 0	5 7	8
KL 2 5 0 0 4 0	9	7	KN 2 7 2 4 0 0	5 1	4
KL 2 5 0 0 5 1	9	2 6	KN 3 1 0 0 0 0	2 7	1 1
KL 2 5 0 0 7 1	1 1	5	KN 3 1 0 0 1 0	2 7	1 5
KL 2 7 0 0 0 0	5 5	1	KN 3 1 0 0 5 0	2 7	8
KL 2 7 0 0 1 0	5 5	6	KN 3 1 2 8 1 0	2 7	1 7
KL 2 7 0 0 2 0	5 5	5	KN 3 1 2 8 2 0	2 7	2 4
KL 2 7 0 0 3 0	5 5	7	KN 3 1 2 9 4 0	2 7	5
KL 2 7 0 0 4 0	5 5	2	KN 3 1 3 6 7 0	2 7	1 0
KL 2 7 0 0 5 0	5 5	3	KN 3 1 5 1 1 0	2 7	1 3
KL 2 7 0 0 6 0	5 5	4	KN 3 1 5 1 3 0	2 7	7
KL 2 7 0 0 7 0	5 5	1 0	KN 3 3 0 1 3 0	2 5	1 5
KL 2 7 0 0 8 1	5 3	2	KN 3 3 0 2 4 0	2 5	1 0
KL 2 7 0 0 9 1	5 3	4	KN 3 3 0 2 5 0	2 5	4
KL 2 7 0 1 0 1	5 3	8	KN 3 3 2 0 1 0	2 5	1 3
KL 2 7 0 1 1 0	5 3	3	KN 4 5 0 3 0 0	3 7	1 7
KL 2 7 0 1 2 0	5 3	9	KN 4 5 0 3 0 0	3 9	1 1
KL 2 7 0 1 3 0	5 3	1 6	KN 4 5 0 3 1 1	3 9	1 9
KL 2 7 0 1 4 0	5 3	7	KN 4 7 0 1 5 1	3 5	1 4

From the library of: Diamond Needle Corp

